

- 6=1/4x1 YELLOW SQUARE
- U-BOLT-A
- 2=7/16 LOCK NUTS-B
- 4=7/16 SAE WASHERS-C
- 2=5/16x1 1/4 BOLTS-D
- 4=5/16 SAE WASHERS-E
- 2=7/16x2 1/4 BOLTS-F
- 2=5/16 LOCK NUTS-G
- 4=1/4 ROD CAPS-H
- 2=1" PLUGS-I

- 1= ALUMNI. WASHER-J
- 2=3/16x1 1/4x7/8 CLIPS-K
- 1=GR BRACKET L SHAPE-L
- 2=3/8 CARRIAGE BOLTS-M
- 2=RUBBER STRAPS-N
- 2=SOLID RUBBER BLOCKS-O
- 2=ADJUSTMENT PLATE(PLASTIC)-P
- 2=BASE BRACKETS(PLASTIC)-Q
- 12=1/4 SAE WASHERS-R
- 12=1/4 NUTS-S
- 1=1" TUB. 32" LONG
- 1= MAIN BRACKET

2=3/8 NUTS
 THESE ARE
 PACKED IN THE
 BOX.

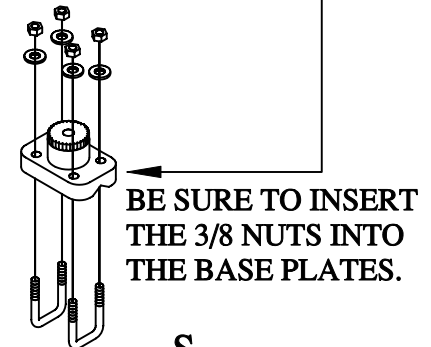
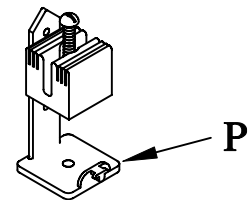
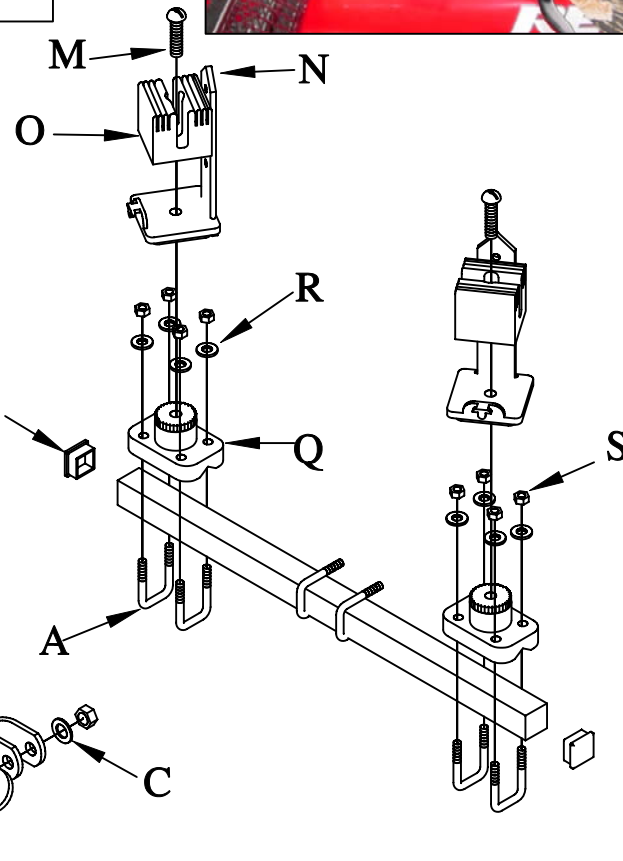
PACK HARDWARE IN 6X8
 BAG THEN PACK IT INTO
 THE 9X12 BAG WITH OTHER
 PIECES.

MAKE SURE ALL
 PIECES ARE IN A
 9X12 BAG.



#BR108

UNIVERSAL BOW RACK FOR BIKES
 WITH LARGE ODOMETER ON THE BARS.



BE SURE TO INSERT
 THE 3/8 NUTS INTO
 THE BASE PLATES.

