

- 2=5/16X1 U-BOLTS
- 2=1/4X1/2 U-BOLTS
- 4=1/4 LOCK NUTS
- 4=1/4 USS WASHERS
- 4=5/16 LOCK NUTS
- 4=5/16 USS WASHERS
- 4=5/16 ROD CAPS
- 4=1/4 ROD CAPS
- 2=1 1/2" PLUGS



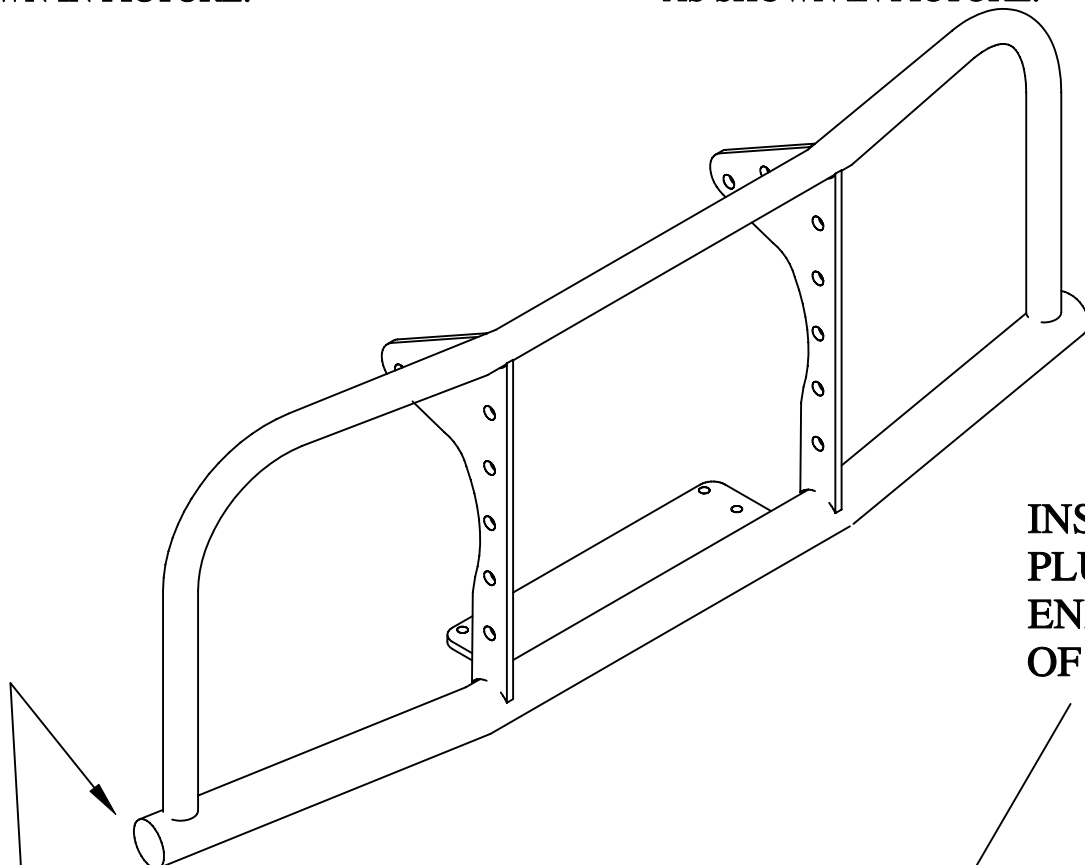
BG-10W

YAMAHA GRIZZLY 660



USE THE 5/16X1 U-BOLTS, 5/16 LOCK NUTS, AND 5/16 ROD CAPS AND 5/16 USS WASHERS. MOUNT AS SHOWN IN PICTURE.

USE THE 1/4 X 1/2 U-BOLTS, 1/4 LOCK NUTS, AND 1/4 ROD CAPS AND 1/4 USS WASHERS. MOUNT AS SHOWN IN PICTURE.



INSERT THE 1 1/2" PLUGS INTO THE ENDS OF EACH SIDE OF THE 1 1/2" PIPE.