

- 2=1/4 X 3/8-U-BOLTS-A
- 4=1/4 USS WASHERS-B
- 4=1/4 LOCK NUTS-C
- 4=5/16 X 1 1/4 U-BOLTS-D
- 10=5/16 LOCK NUTS-E
- 12=5/16 USS WASHERS-F
- 2=5/16 X 1 BOLTS-G
- 4=1 1/2 ROUND BLACK PLUGS-H
- 8=5/16 ROD CAPS-I



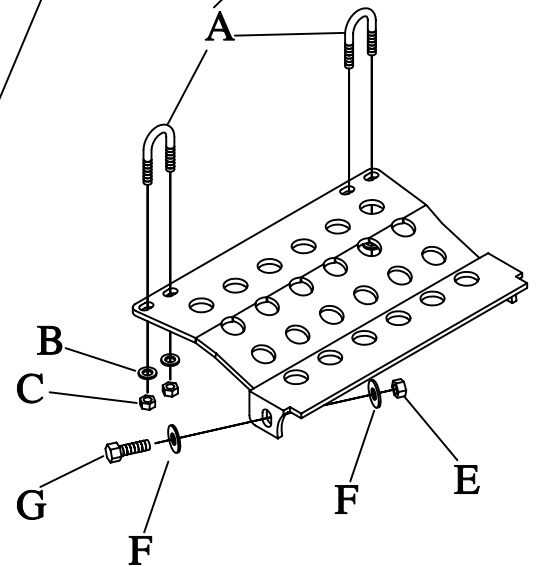
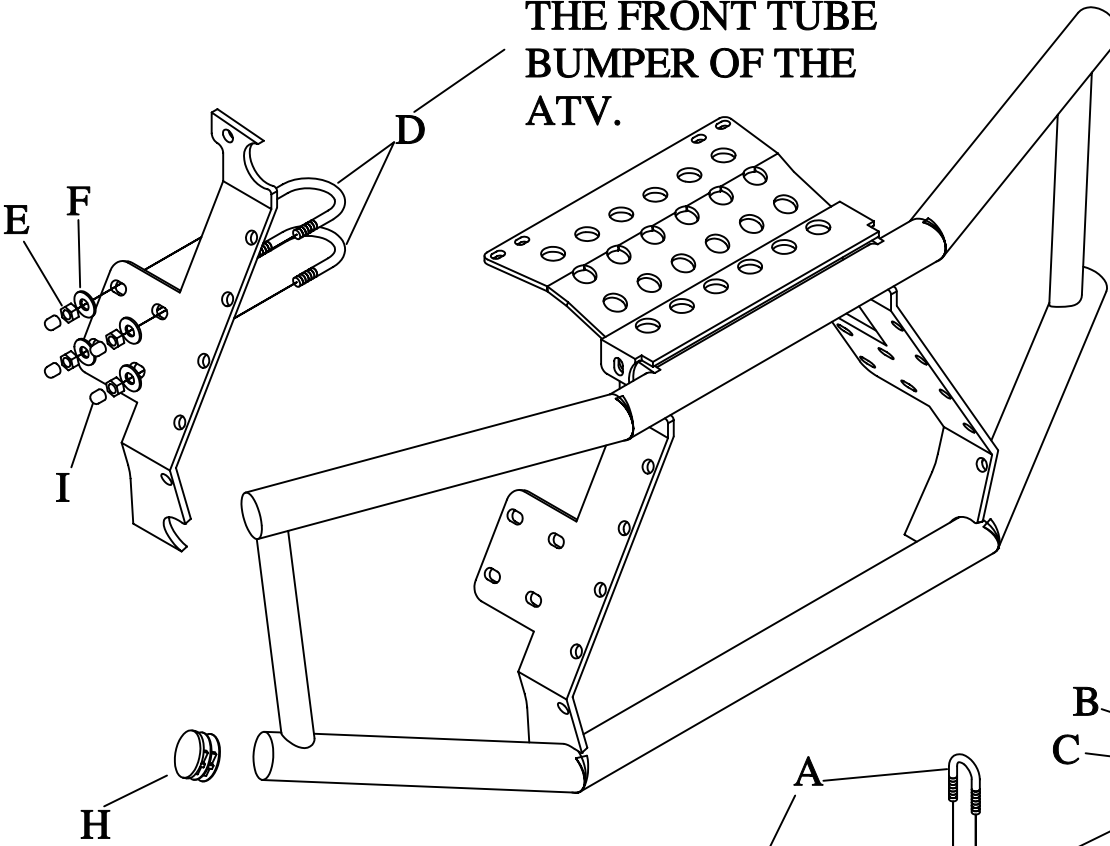
# #BG-17

KAWASAKI BRUTE FORCE 750 4X4

KAWASAKI BRUTE FORCE 650 IRS 4X4

THESE TWO U-BOLTS WILL BOLT THE BRACKETS TO THE FRONT TUBE BUMPER OF THE ATV.

THESE TWO U-BOLTS WILL BOLT THE PLATE TO THE FRONT RACK OF THE ATV.



THIS IS HOW THE U-BOLTS WILL MOUNT TO THE FRONT RACK ON THE KAW. 650'S.

