

4=1/2 X 1 WING BOLTS-A  
4=7/16 USS WASHERS-B  
2=1/4 X 1 BLACK TORX  
HEAD SCREWS-C

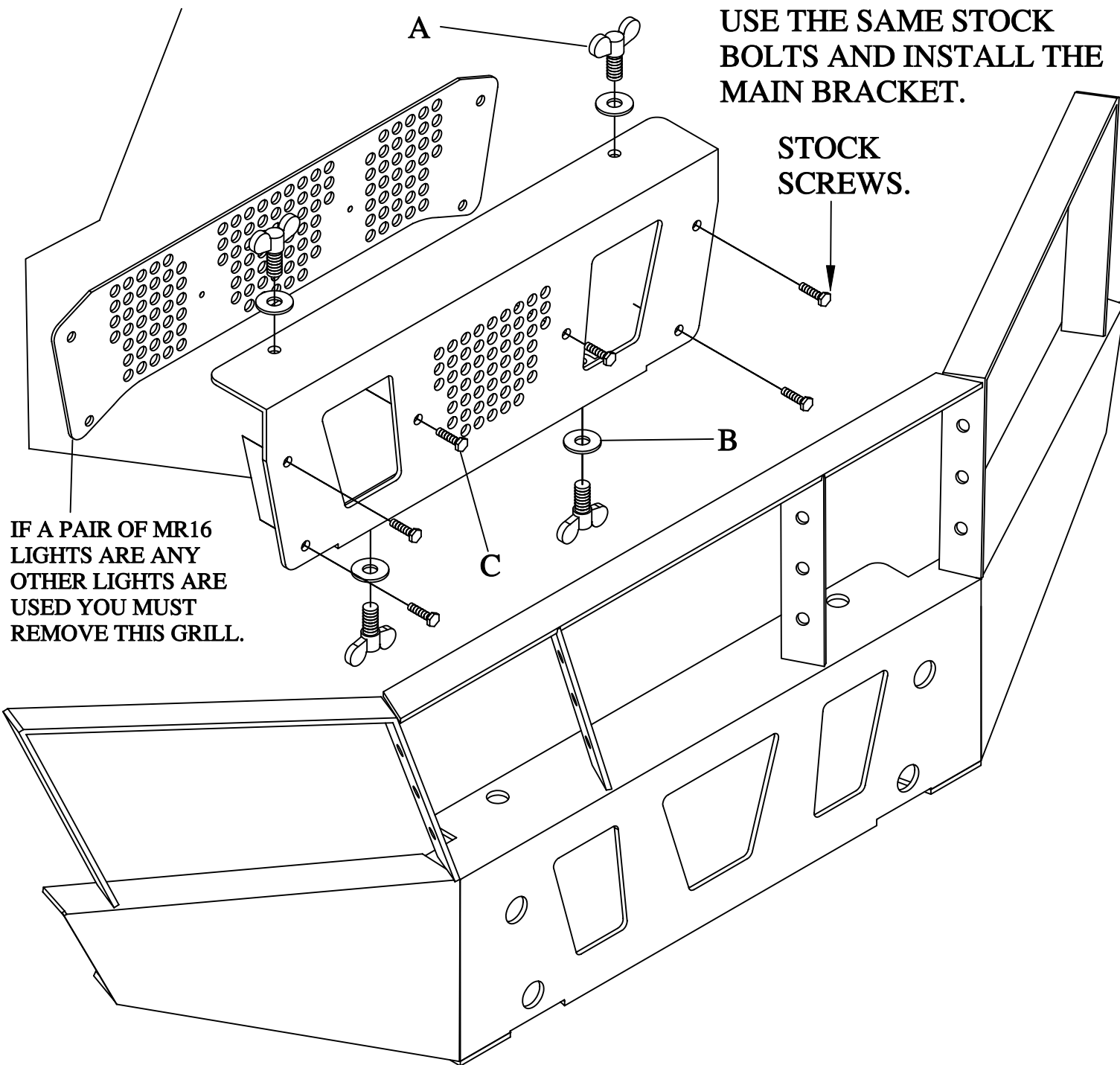


IF DESIRED BY INSTALLER THEY  
MAY DRILL THESE HOLES TO A 5/16  
HOLE AND USE A 5/16 X 3" BOLTS  
WITH 5/16 SAE WASHERS AND 5/16  
LOCK NUTS TO MOUNT THE PLATE  
TO THE STOCK BUMPER.

# # BG-29

YAMAHA RHINO 660 450 FRONT BUMPER

REMOVE THE STOCK  
PLASTIC MIDDLE GUARD  
USE THE SAME STOCK  
BOLTS AND INSTALL THE  
MAIN BRACKET.



IF A PAIR OF MR16  
LIGHTS ARE ANY  
OTHER LIGHTS ARE  
USED YOU MUST  
REMOVE THIS GRILL.