

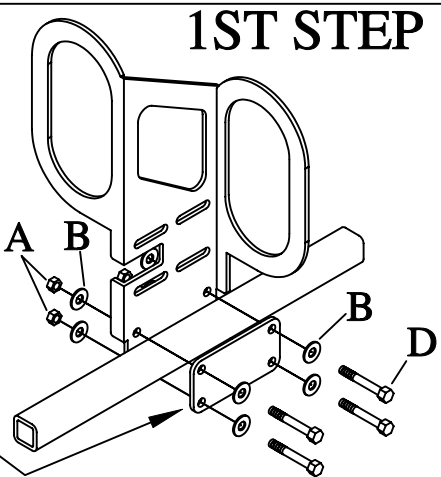


- 10=5/16 LOCK NUTS-A
- 22=5/16 USS WASHERS-B
- 6=5/16 X 1 BOLTS-C
- 4=5/16 X 2 1/4" BOLTS-D
- 2=5/16 X 1 3/8" LOCKING PINS-E
- 2=1100 B7X3/16 TRIM LOCK
- 18 1/2" LONG PC'S.-F

#DBB100

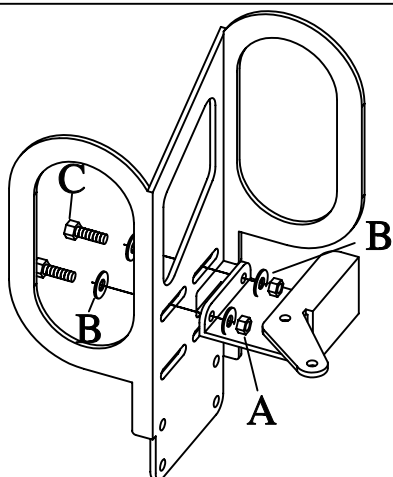
DOUBLE BOOT BRACKET TO FIT WITH THE REAR TOOL BAR MOUNT ON MOST UTV'S.

MOUNT THE MAIN BRACKET TO THE TOOL BAR, THIS END WILL FACE THE FRONT OF THE MACHINE. MOUNT AS SHOWN HERE IN ILLUSTRATION.



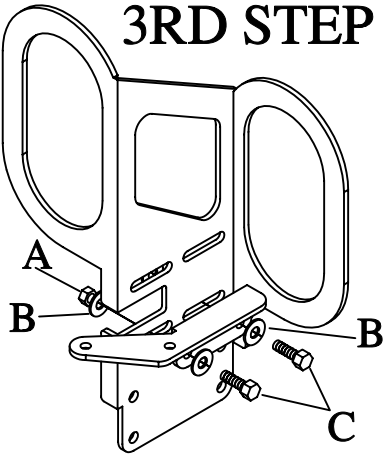
1ST STEP

MOUNT THE REAR BOOT ADJUSTMENT BRACKET. ONCE THE BOOT IS INSTALLED THIS BRACKET WILL ADJUST FORWARD OR BACKWARD FOR PROPER BOOT FIT INTO THE RING.



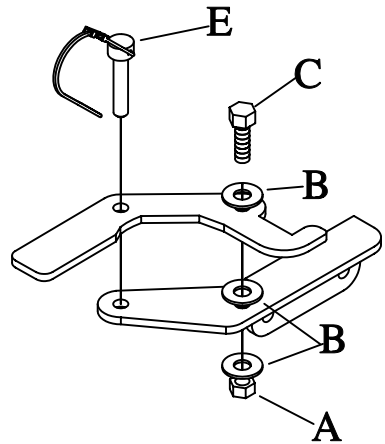
2ND STEP

MOUNT THE FRONT BOOT ADJUSTMENT BRACKET. ONCE THE BOOT IS INSTALLED THIS BRACKET WILL ADJUST FORWARD OR BACKWARD FOR PROPER BOOT FIT INTO THE RING.



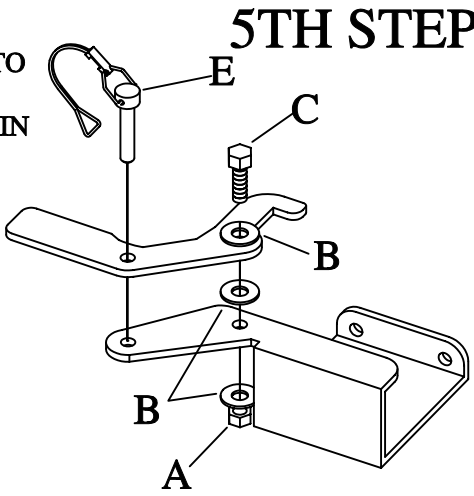
3RD STEP

MOUNT THE LATCH TO THE ADJUSTMENT BRACKET AS SHOWN IN ILLUSTRATION.



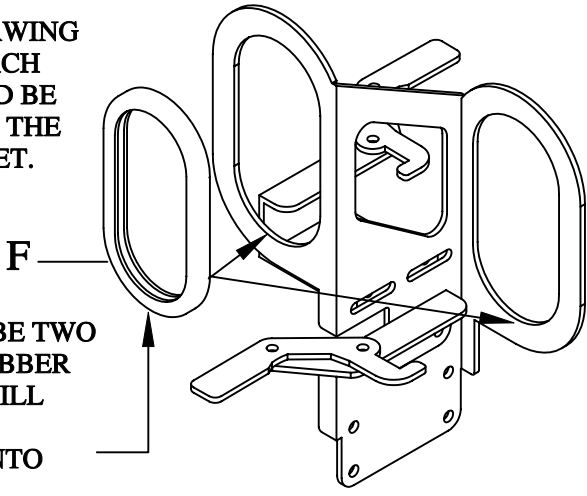
4TH STEP

MOUNT THE LATCH TO THE ADJUSTMENT BRACKET AS SHOWN IN ILLUSTRATION.



5TH STEP

THIS IS A DRAWING OF WHERE EACH PIECE SHOULD BE MOUNTED TO THE MAIN BRACKET.



THERE WILL BE TWO PIECES OF RUBBER TRIM THAT WILL HAVE TO BE INSTALLED INTO THE RINGS.