

# STRONG MADE™

BY SAVANT MANUFACTURING, INC.

www.savantmfg.com

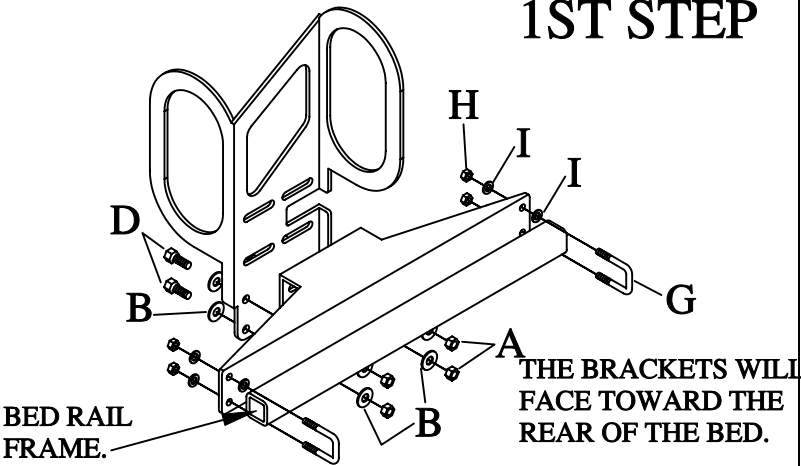
## #DBB101 DOUBLE BOOT BRACKET TO MOUNT TO THE JOHN DEERE GATOR'S REAR CARGO BED.

- 10=5/16 LOCK NUTS-A
- 22=5/16 USS WASHERS-B
- 2=5/16 X 1 1/4 BOLTS-C
- 10=5/16 X 1 BOLTS-D
- 2=5/16 X 1 3/8" LOCKING PINS-E
- 2=1100 B7X3/16 TRIM LOCK
- 18 1/2" LONG PC'S.-F
- 2=1/4 X 1 SQ YELLOW U-BOLTS-G
- 4=1/4 LOCK NUTS-H
- 6=1/4 SAE WASHERS-I

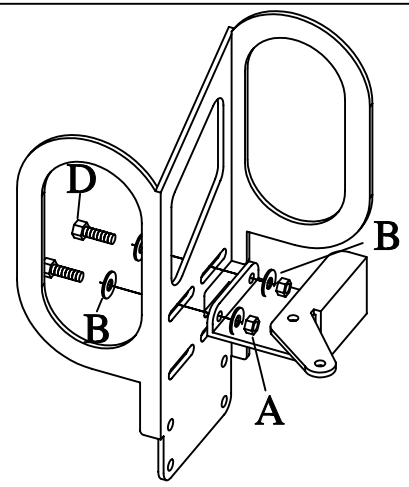


### 1ST STEP

### 2ND STEP



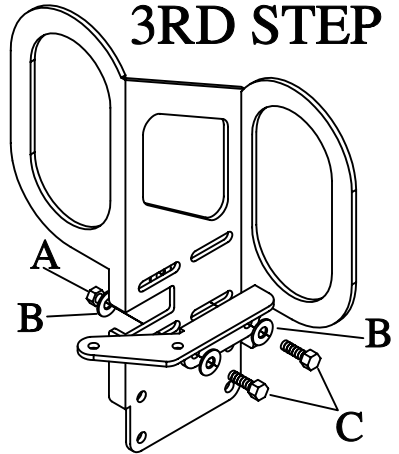
MOUNT THE FRONT BOOT ADJUSTMENT BRACKET. ONCE THE BOOT IS INSTALLED THIS BRACKET WILL ADJUST FORWARD OR BACKWARD FOR PROPER BOOT FIT INTO THE RING.



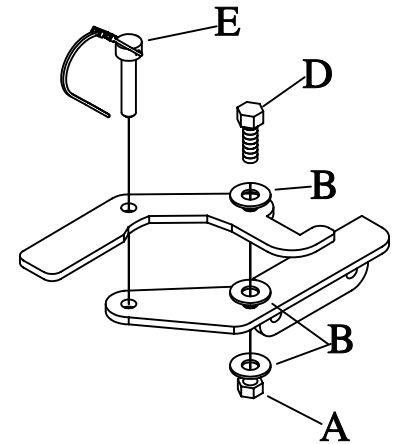
MOUNT THE REAR BOOT ADJUSTMENT BRACKET. ONCE THE BOOT IS INSTALLED THIS BRACKET WILL ADJUST FORWARD OR BACKWARD FOR PROPER BOOT FIT INTO THE RING.

### 3RD STEP

### 4TH STEP



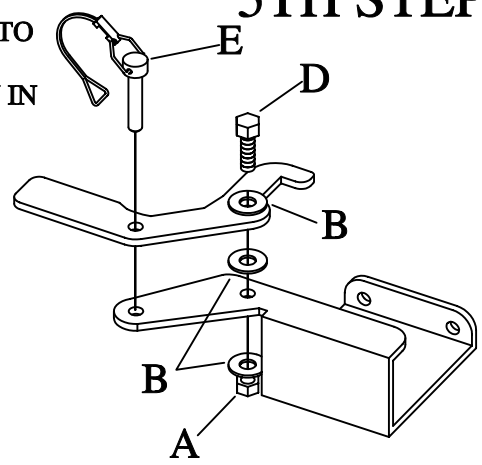
MOUNT THE LATCH TO THE ADJUSTMENT BRACKET AS SHOWN IN ILLUSTRATION.



MOUNT THE LATCH TO THE ADJUSTMENT BRACKET AS SHOWN IN ILLUSTRATION.

### 5TH STEP

THIS IS A DRAWING OF WHERE EACH PIECE SHOULD BE MOUNTED TO THE MAIN BRACKET.



THERE WILL BE TWO PIECES OF RUBBER TRIM THAT WILL HAVE TO BE INSTALLED INTO THE RINGS.

