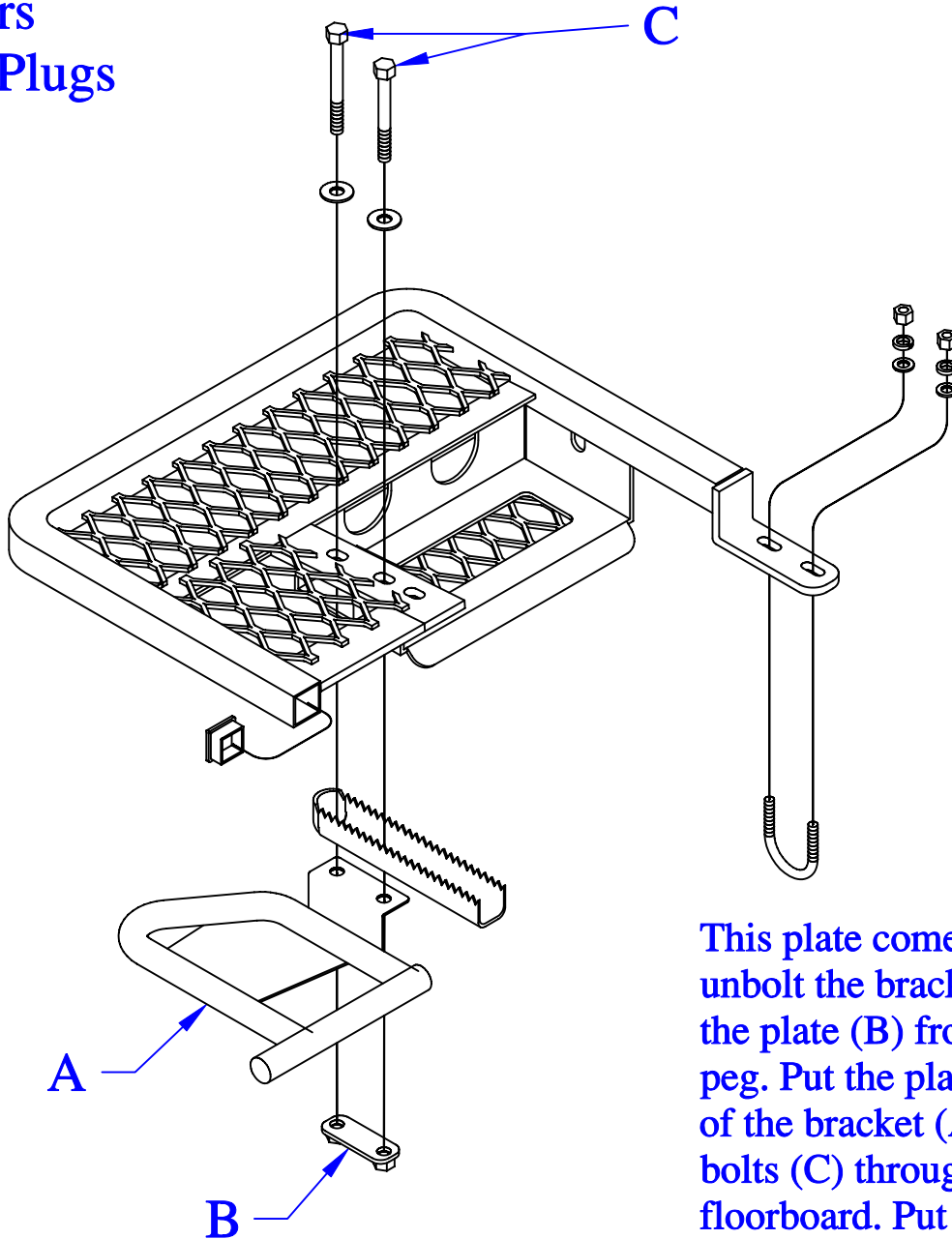


- 2 = 1/4 x 1 U-Bolts
- (Not the Yellow ones)
- 4 = 8mm x 1.25 x 70 mm Bolts
- 4 = 1/4 Nuts
- 4 = 1/4 Lock Washers
- 4 = 1/4 Washers
- 4 = 5/16 Large Flat Washers
- 2 = 1" Plugs



5011



This plate comes on the bike, you unbolt the bracket (A) and remove the plate (B) from the top of the foot peg. Put the plate (B) on the bottom of the bracket (A) and then run the bolts (C) through the top of the floorboard. Put the U-Bolt around the frame of the bike, and tighten all the bolts up.