

- 1=7/16 NUT-A
- 4=1/4 LOCK NUT-B
- 4=5/16 LOCK NUT-C
- 1=7/16 LOCK WASHER-D
- 4=5/16 USS WASHERS-E
- 4=1/4 SAE WASHERS-F
- 4=5/16X2 1/2 BOLTS-G
- 4=3/16X1X3/16 ZINC WASHERS-H
- 1=PLASTIC FLAT WASHER 437X1.5X.5 HOLE-I
- 1=BRAKE PEDAL-M
- 2=1/4X3/4 U-BOLT-J
- 1=7/16 USS WASHER-K
- 2=1"BLACK PLUGS-L



# # 5015

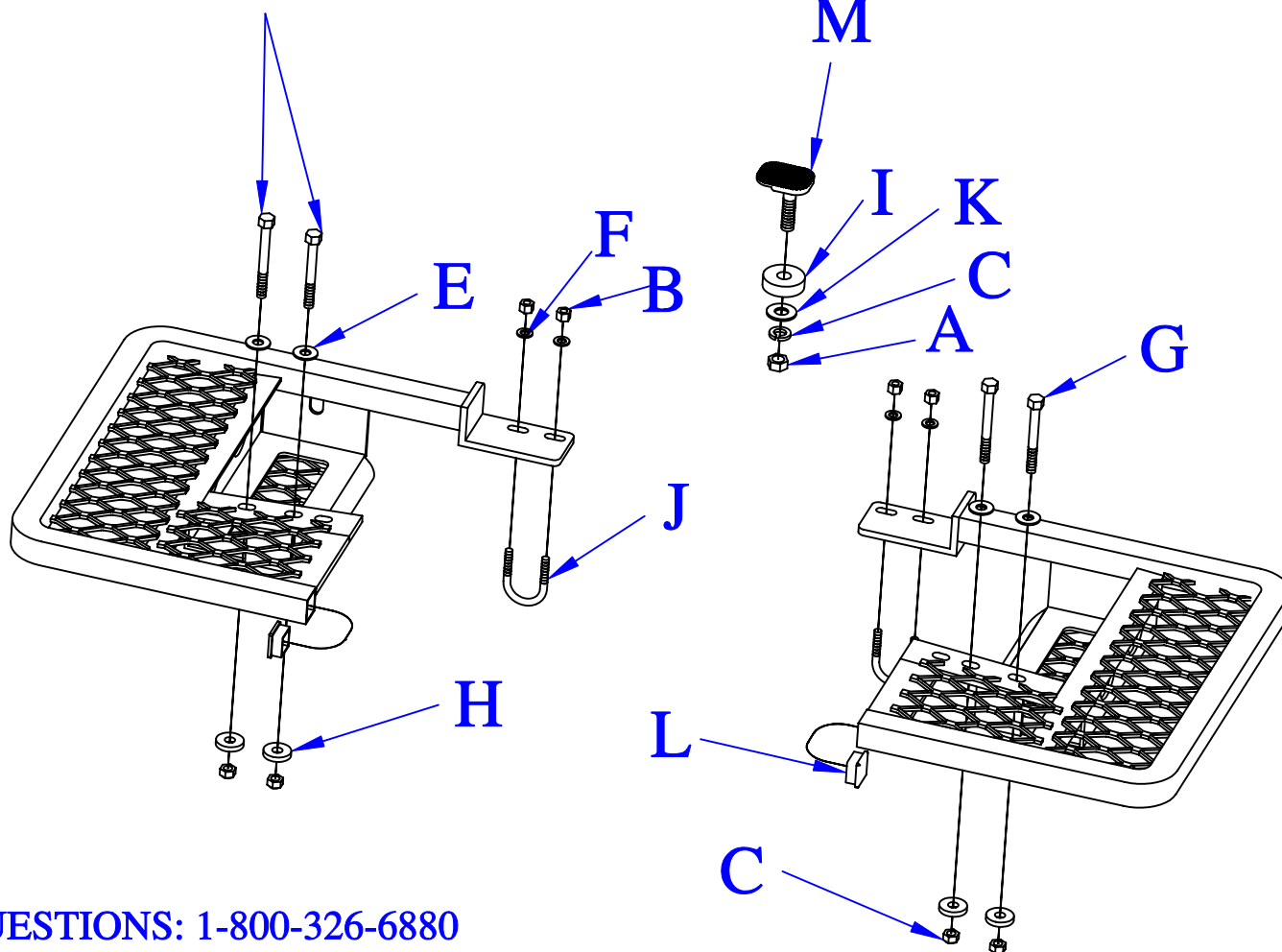
## 2000 Yamaha

## Timberwolf

## 250 4x4 floorboards

THESE 5/16X2 1/2 BOLTS WILL RUN THROUGH THE FOOT PEGS USING THE (H) WASHERS &(C) 5/16 LOCK NUTS TO MOUNT THE FLOORBOARDS TO THE PEGS.

THE PEDAL EXTENSION WILL INSURT THROUGH THE BRAKE FOLLOWED BY I,K,C,A AS SHOWN IN THE PICTURE BELOW.



QUESTIONS: 1-800-326-6880