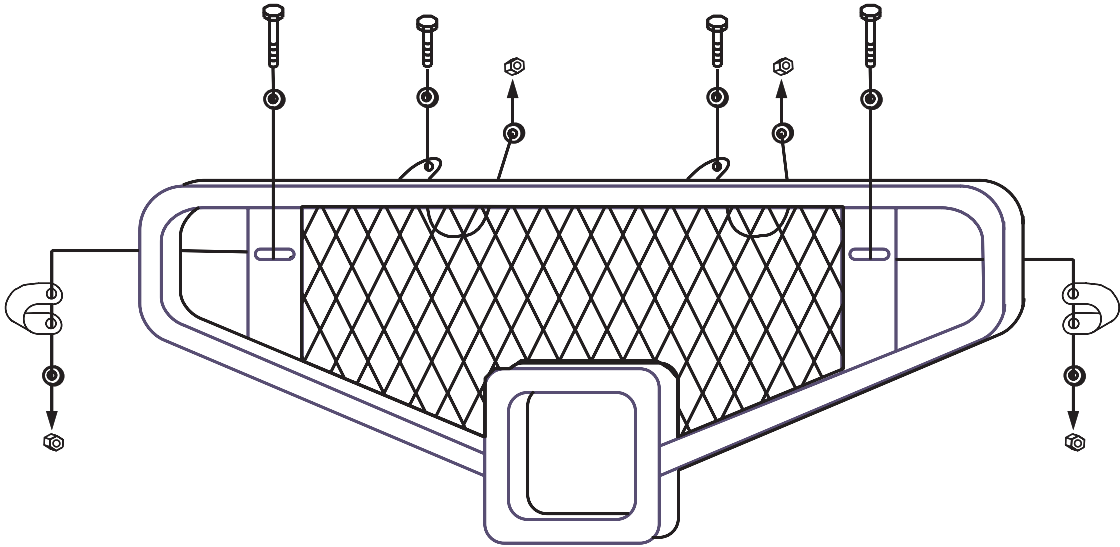


- 4 = 7/16 Lock Nuts
- 8 = 7/16 Small Flat Washers (SAE)
- 2 = 7/16 x 2 Bolts
- 2 = 7/16 x 2 1/4 Bolts
- 2 = 3/16 x 1 1/4 x 7/8 Round Clips

# FG 100



This front grill will bolt to the front of the front bumper on the Honda 300 4x4.