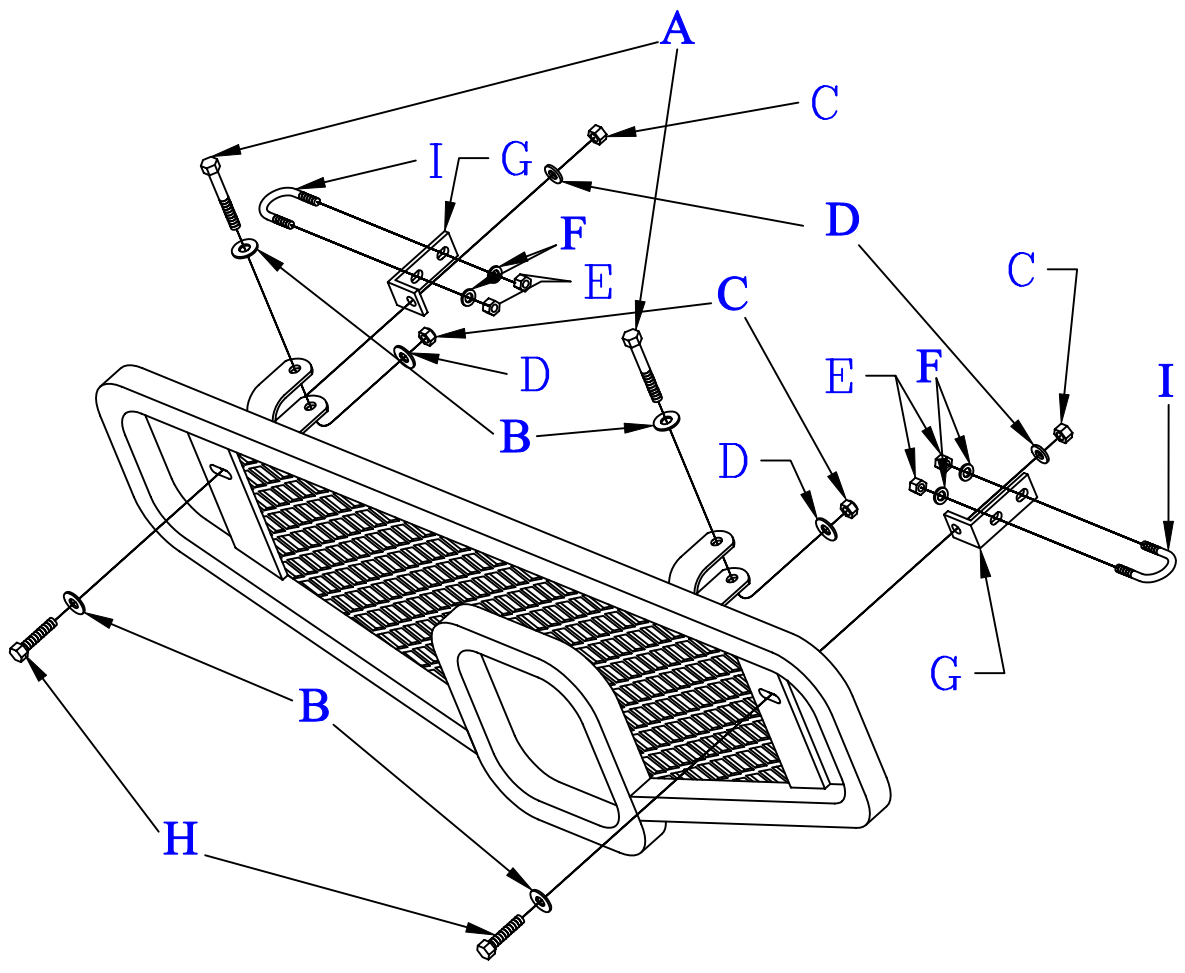


- 2=5/16X2 BOLTS-A
- 4=5/16 USS WASHERS-B
- 4=5/16 LOCK NUTS-C
- 4=5/16 SAE WASHERS-D
- 4=1/4 LOCK NUTS-E
- 4=1/4 SAE WASHERS-F
- 2=3/16X1 BRACKETS-G
- 2=5/16X1 BOLTS-H
- 2=1/4X1/2 U BOLTS-I



2000 HONDA 350ES 4X4
#FG115



THE BRACKETS #G U BOLTS ON TO THE FRONT OF THE TUBULAR BUMPER.