

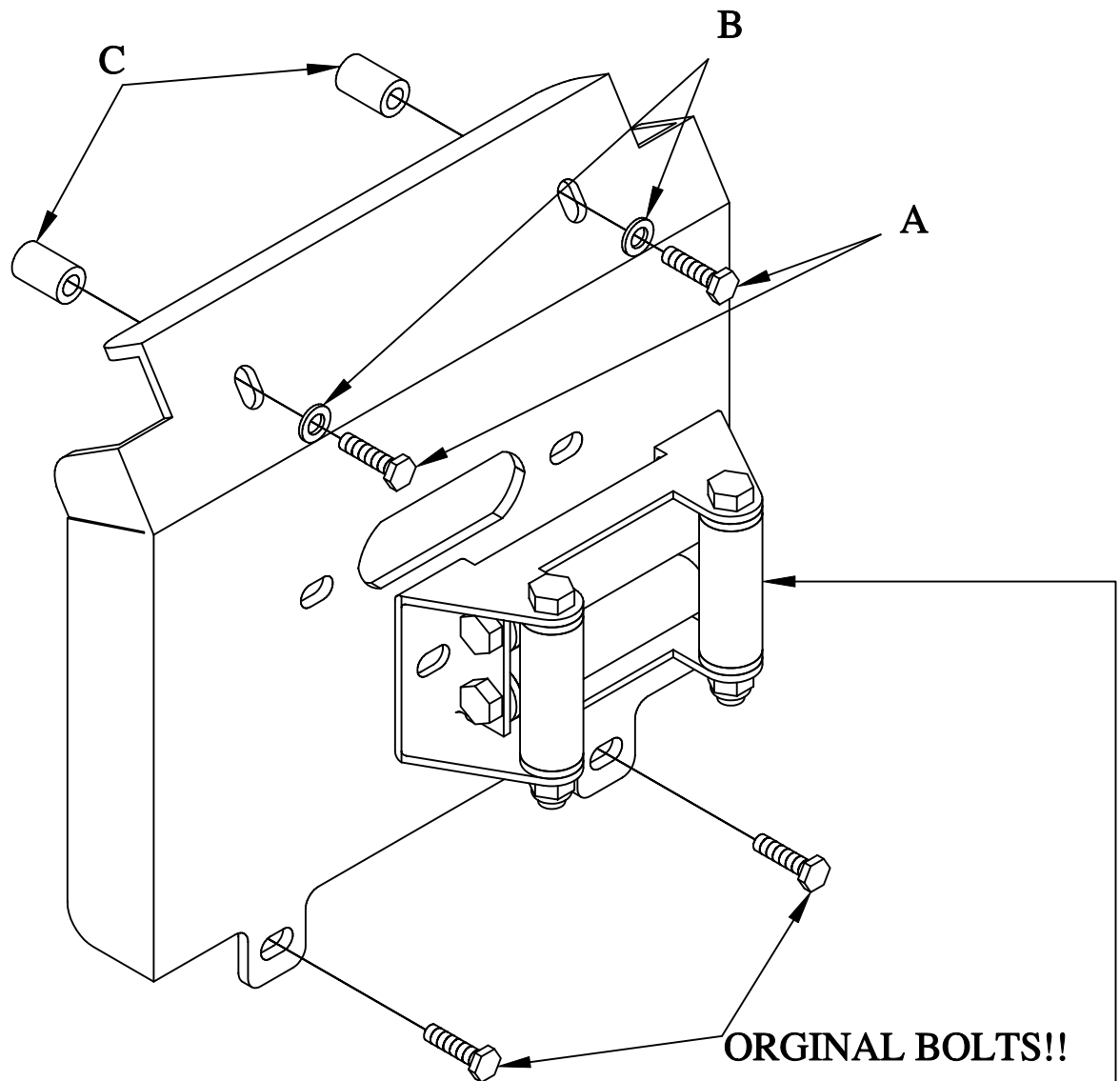
2=6MM X 40MM X 1.25-A
2=1/4 SAE WASHERS-B
2=1/4 SPACERS 7/8 LONG-C

SMI SAVANT
MFG., INC.

FG119-AL

TO INSTALL
THE FG119-AL
YOU MUST
REMOVE THE
PLASTIC
GUARD THAT
IS BOLTED TO
THE BUMPER.
THEN USE THE
SAME
MOUNTING
HOLES TO
BOLT IN.

FRONT SKID PLATE FOR HONDA RUBICON 500 4X4



IF THE BIKE HAS A ROLLER FAIRLEAD BRACKET
ALREADY REMOVE IT . THEN INSTALL THE ROLLER
FAILEAD TO THE FGT119-AL AS SHOWN IN THE PICTURE.
THE RF002 WILL COME WITH ITS OWN HARDWARE.