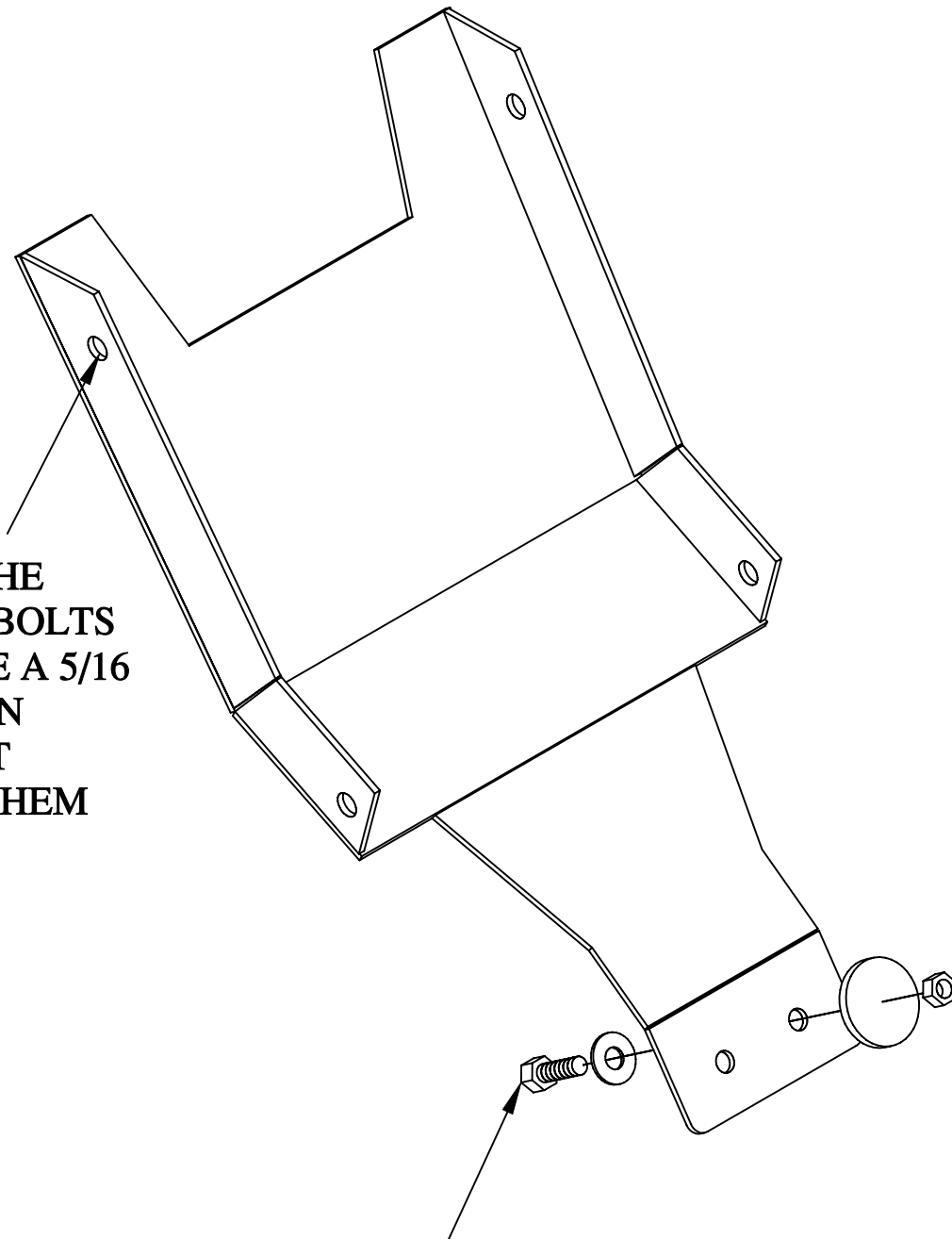


5=5/16 USS WASHERS
1=5/16X1 BOLT
1=5/16 LOCK NUT
1= 225 3/16X1 1/2 BLACK
WASHER

SMI SAVANT
MFG., INC.

#FG122-AL
HONDA RANCHER 350 400
2004 MODELS



REMOVE THE
ORIGINAL BOLTS
AND PLACE A 5/16
WASHER ON
EACH BOLT
REPLACE THEM
ALL THEN
TIGHTEN .

BOLT THE BOTTOM OF THE SKID PLATE WITH THIS
SET UP MAKE SURE YOU PLACE THE BLACK 1 1/2 WASHER
ON THE LEFT SIDE LOOKING AT THE BIKE. (DO NOT BOLT UNDER THE
FRONT DIFFERENTIAL).