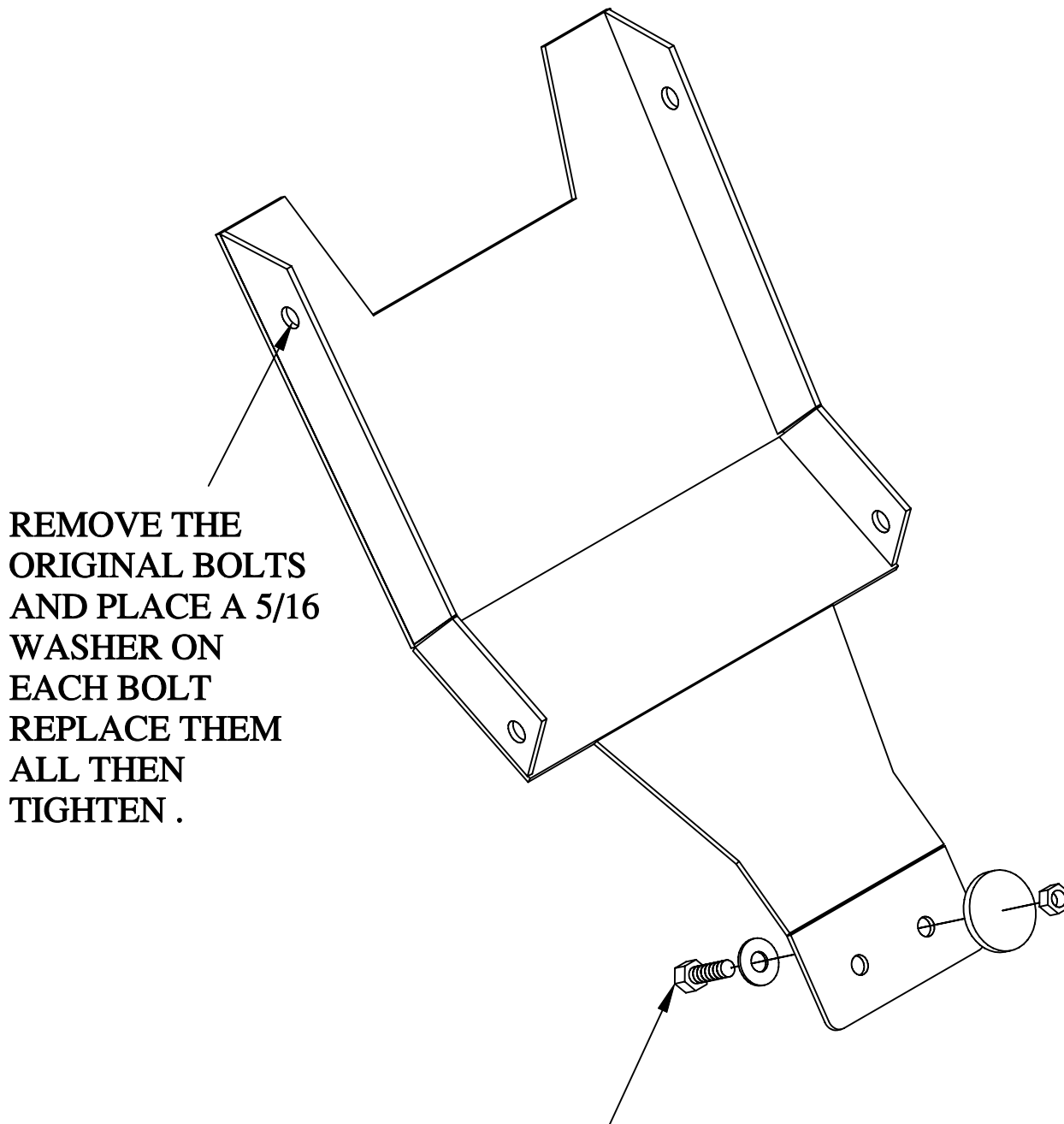


5=5/16 USS WASHERS  
1=5/16X1 BOLT  
1=5/16 LOCK NUT  
1= 225 3/16X1 1/2 BLACK  
WASHER

**SMI** SAVANT  
MFG., INC.

**#FG122-STL**  
HONDA RANCHER 350 400  
2004 MODELS



REMOVE THE  
ORIGINAL BOLTS  
AND PLACE A 5/16  
WASHER ON  
EACH BOLT  
REPLACE THEM  
ALL THEN  
TIGHTEN .

BOLT THE BOTTOM OF THE SKID PLATE WITH THIS  
SET UP MAKE SURE YOU PLACE THE BLACK 1 1/2 WASHER  
ON THE LEFT SIDE LOOKING AT THE BIKE. (DO NOT BOLT UNDER THE  
FRONT DIFFERENTIAL).