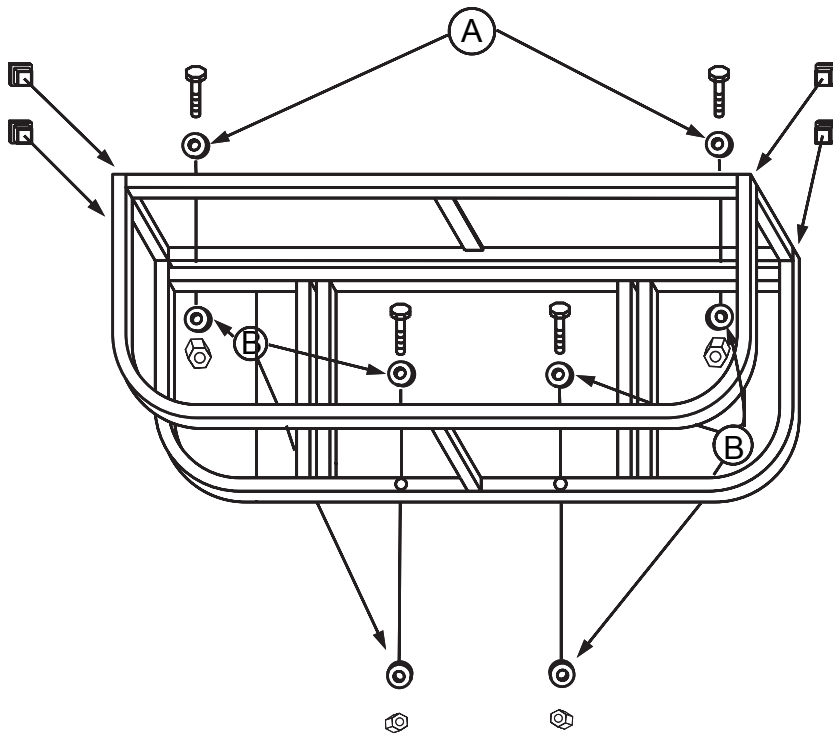


#233

- 4= 5/16 x 2 1/2 Bolts
- 6= 5/16 Flat Small Washers=B
- 4= 5/16 Lock Nuts
- 4= 3/4 Plugs
- 2= 5/16 Large Flat Washers =A

1999 KAWASAKI PRAIRIE 400
4X4 AND 300 4X4.



REMOVE THE SMALL HAND
RAILS THAT COME MOUNTED
ON THE BIKE AND USE THE
HOLES IN THE COMPOSITE
RACK TO RUN THE BOLTS IN.