

- 4=5/16X1 3/4 BOLTS
- 4=QC100 CLIPS
- 4=3/4 PLUGS
- 4=Gr. 8 (gold) 5/16 USS WASHERS



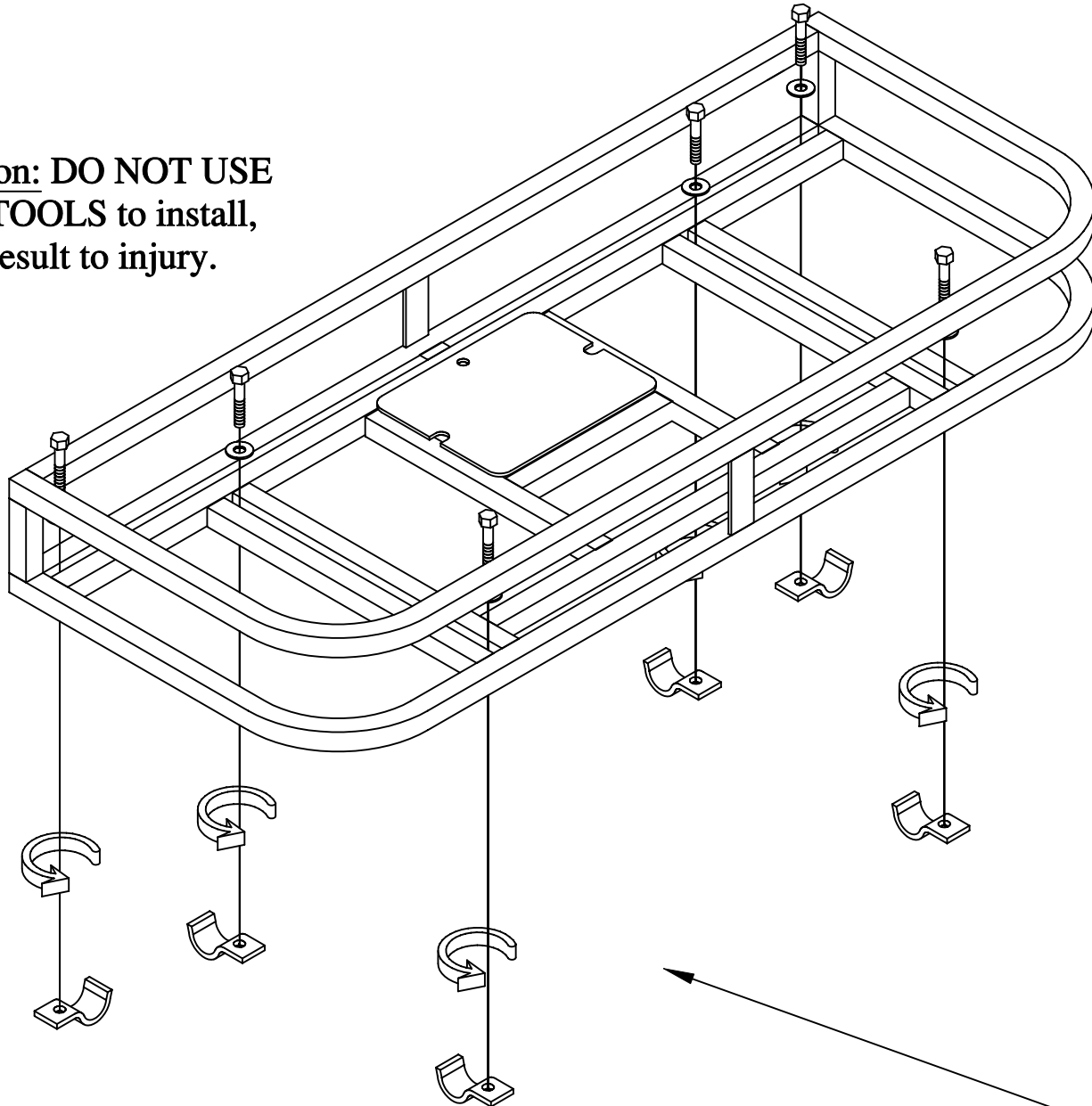
- 2=5/16X11/4 BOLTS
- 2=5/16 USS WASHERS

THESE BOLTS AND WASHERS ARE TO HOLD THE PLATE TO THE RACK. THESE BOLTS AND WASHERS ARE NOT PACKED IN THE HARDWARE.

# #234

HONDA RUBICON 500  
SUZUKI VINSON 500

**Caution: DO NOT USE AIR TOOLS to install, may result to injury.**



THE CLIPS WILL MOUNT EITHER WAY DEPENDING ON THE ORIGINAL RACK DESIGN.

TO REMOVE RACK SIMPLY LOOSEN THE BOLTS THEN TURN THE CLIPS THE RACK WILL LIFT OFF THE ORIGINAL RACK LEAVING THE CLIPS ON THE BASKET.