

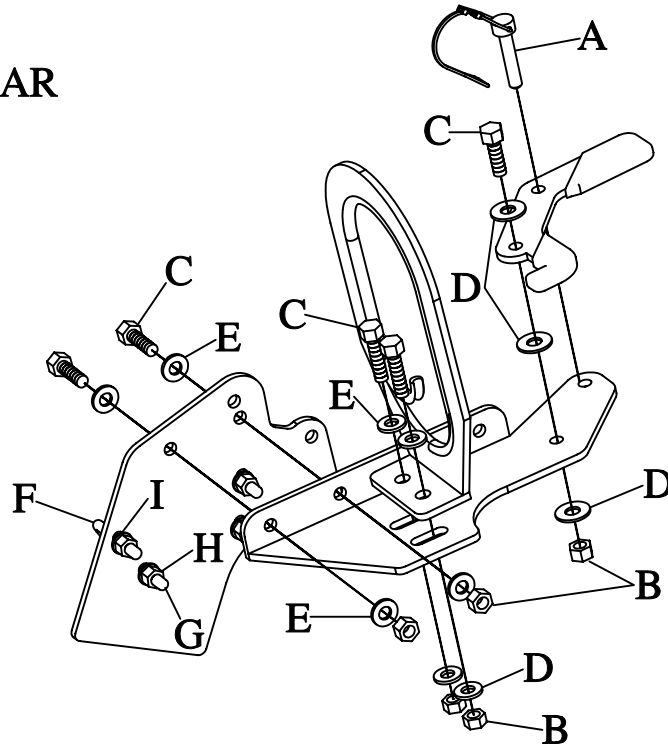
- 1=5/16 LOCKING PIN-A
- 5=5/16 LOCK NUTS-B
- 5=5/16 X 1 BOLTS-C
- 5=5/16 USS WASHERS-D
- 6=5/16 SAE WASHERS-E
- 2=1/4 X1 YELLOW SQUARE
- U-BOLTS-F
- 4=1/4 ROD CAPS-G
- 4=1/4 LOCK NUTS-H
- 4=1/4 SAE WASHERS-I



20047

UNIVERSAL REAR RACK MOUNTED GUN BOOT BRACKET.

**MOUNT BRACKETS TOGETHER
BEFORE MOUNTING TO THE REAR
RACK.**



**ONCE ALL PARTS HAVE BEEN
ASSEMBLED THEN PROCEED TO
MOUNT THE BRACKET TO THE
REAR RACK.**

**OPTIONAL HOLES
FOR DIFFERENT
POSITIONS ON
DIFFERENT MAKES
AND MODELS.**

