

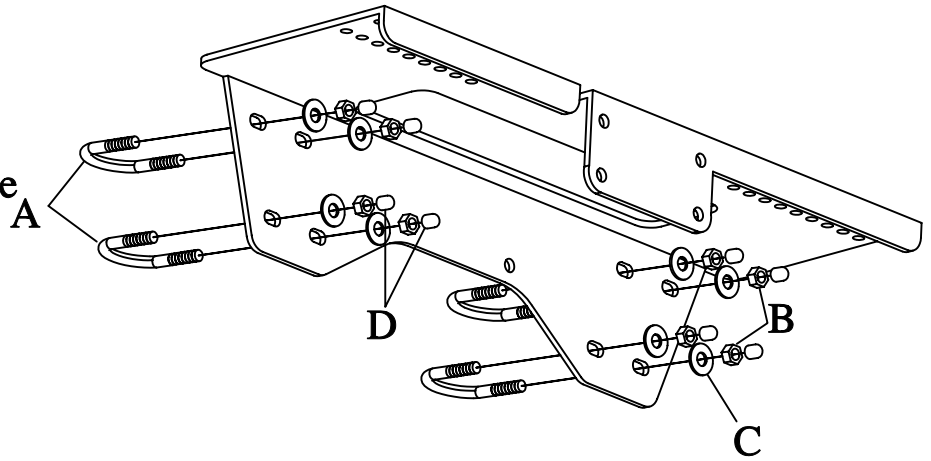
- 4=5/16 X 1 U-BOLTS-A
- 12=5/16 LOCK NUTS-B
- 16=5/16 USS WASHERS-C
- 8=5/16 ROD CAPS-D
- 8=1/4 X 1 1/4 BOLTS-E
- 8=1/4 LOCK NUTS-F
- 8=1/4 SAE WASHERS-G
- 4=5/16 X 1 BOLTS-H
- 4=RUBBER SNUBBERS-I



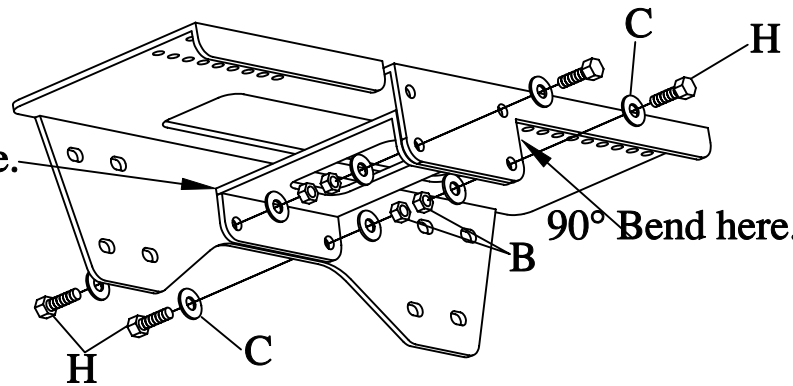
GR131

ARCTIC CAT 650 PROWLER H1 4X4.
GUN RACK/GUN BOOT BRACKET.

This gun rack bolts to the two middle bars that looks like a V. These bars are on the back of the roll cage.



There is a support bracket that is used under the main bracket. Install the bracket as the pic. illustrates. 93° Bend here. The bracket has two differ. bends mount the bracket to the main bracket as the pic . is showing. 90° Bend here.



After installing the gun rack and gun clips, make sure you center your gun behind the roll cage (outside to outside). The Gun Clip can be bolted in different bolt holes (left to right). If you need help call 1-337-738-5896.

