

- 16 = 1/4 SAE Flat Washer-A
- 8 = 1/4 Lock Nut-B
- 8 = 1/4 x 1 1/4 Bolt-C
- 16 = 5/16 SAE Flat Washer-D
- 12 = 5/16 Lock Nut-E
- 8 = 5/16 Rod Cap-F
- 4 = 5/16 x 1 1/4 U-Bolt (1 3/4 ID x 2 5/8 ID)-G
- 4 = Rubber Subbers-H
- 4=5/16 X 1 Bolts-I

2 = FBAR (Gun Clip)

This gun rack bolts to the two middle bars that look like a V. These bars are on the back of the roll cage. After installing the gun rack and gun clips, make sure you center your gun behind the roll cage(outside to outside). The Gun Clip can be bolt in different bolt holes (left to right). If you need help call 1-337-738-5896.

MOUNT THE BRACKET AS HIGH UP ON THE BARS AS POSSIBLE. THIS IS FOR THE DUMP BEND TO BE ABLE TO ROTATE AND NOT TOUCH THE BRACKET.

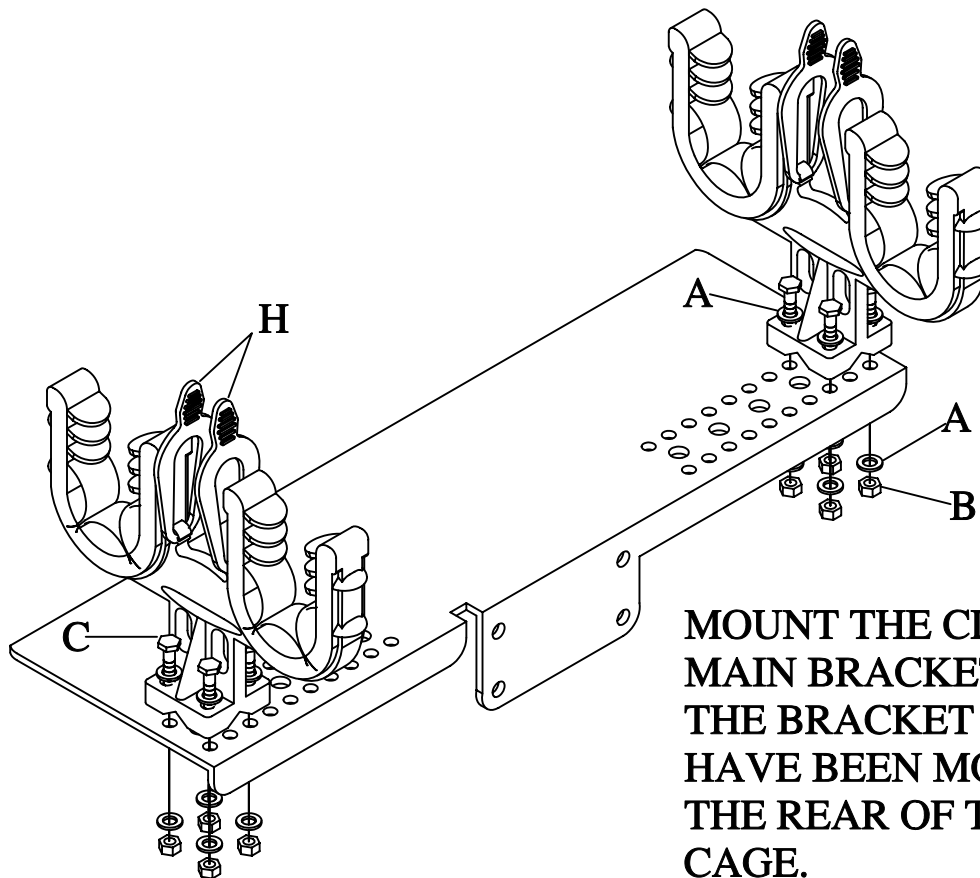
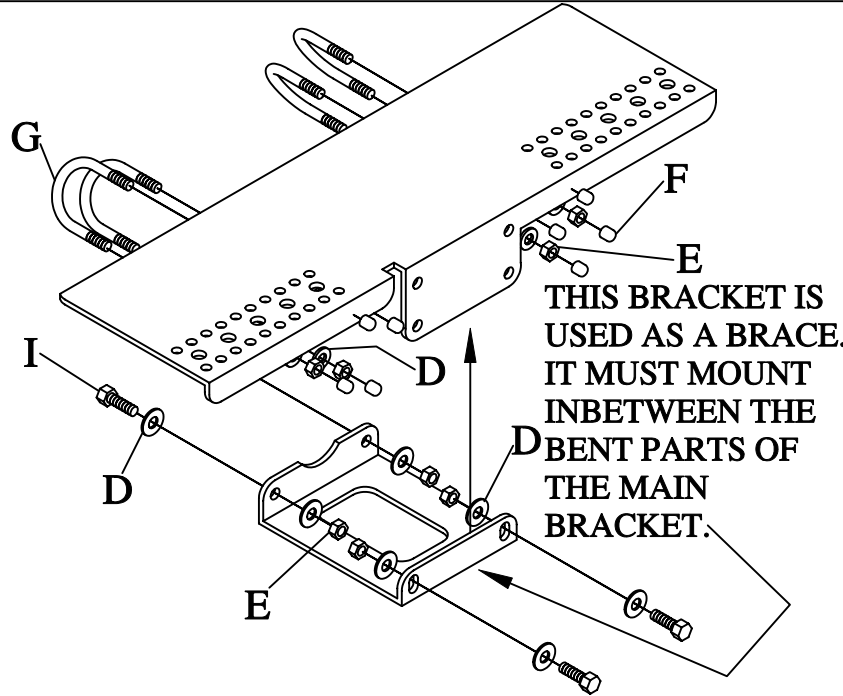


GR134

KAWASAKI TERYX 750 4X4

GUN RACK

ALSO SERVES AS A GUN BOOT BRACKET MOUNT. MUST ORDER BOOT MOUNT SEPARATELY (DBB100).



MOUNT THE CLIPS TO THE MAIN BRACKET AFTER THE BRACKET AND BRACE HAVE BEEN MOUNTED TO THE REAR OF THE ROLL CAGE.