

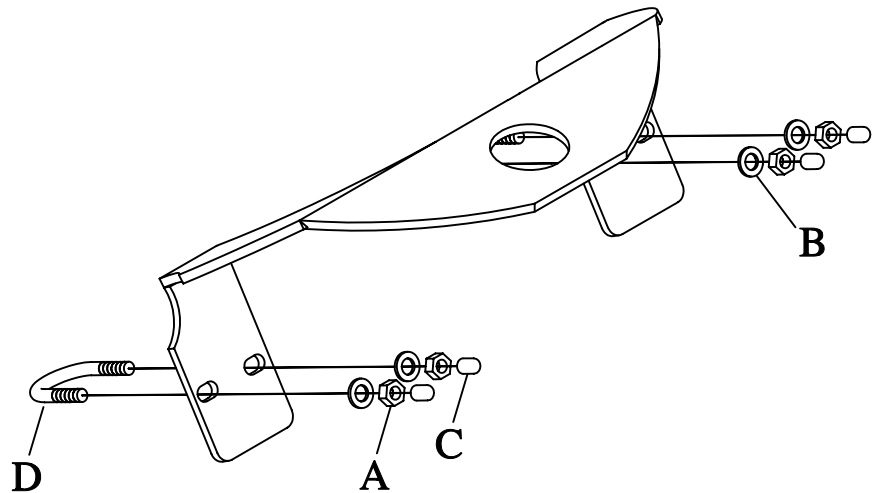
- 4=5/16 LOCK NUTS-A
- 8=5/16 SAE WASHERS-B
- 4=5/16 ROD CAPS-C
- 2=5/16 X 1/2 U-BOLTS-D



# # GRFR128

HONDA FOREMAN 500 4X4

**MOUNT THE BRACKET AS SHOWN  
HERE TO THE HANDLE BARS.**



**IN ORDER TO MOUNT THE BRACKET YOU  
MAY HAVE TO LOOSEN THE THROTTLE  
BODY AND BRAKE CALIPER AND SLIDE  
THEM TOWARD THE HANDLE GRIP.**

