

- 2=5/16x1 BOLTS-A
- 2=5/16 LOCK NUTS-B
- 2= 5/16 USS WASHERS-C
- 2=5/16X1" ZINC PLATE WASHERS-D

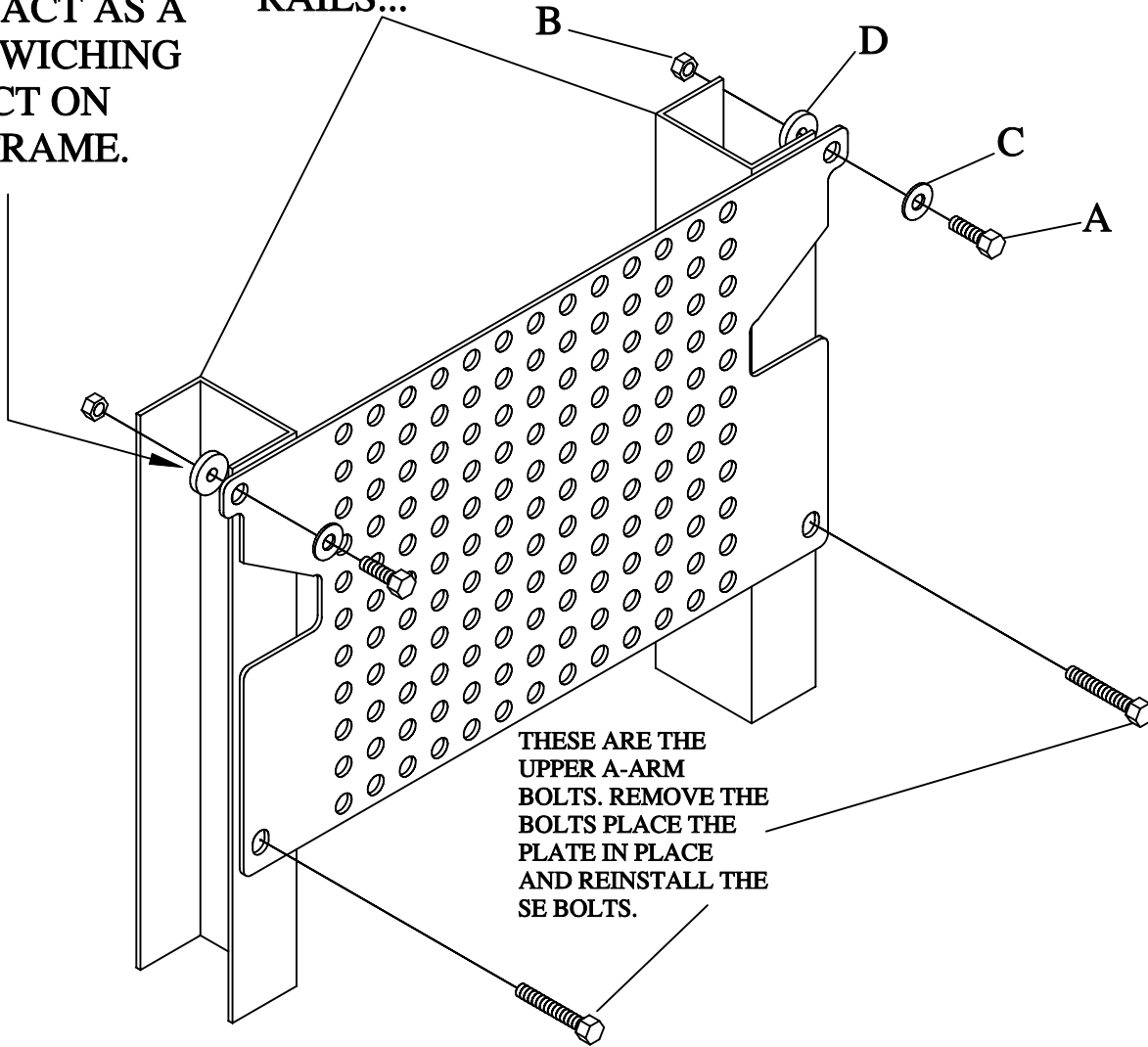


# #RG104

Radiator Guard Yamaha Rino 2005-07 660  
450 4x4

THESE BOLTS  
AND WASHERS  
WILL ACT AS A  
SANDWICHING  
AFFECT ON  
THE FRAME.

REPRESENT  
THE FRAME  
RAILS...



THESE ARE THE  
UPPER A-ARM  
BOLTS. REMOVE THE  
BOLTS PLACE THE  
PLATE IN PLACE  
AND REINSTALL THE  
SE BOLTS.