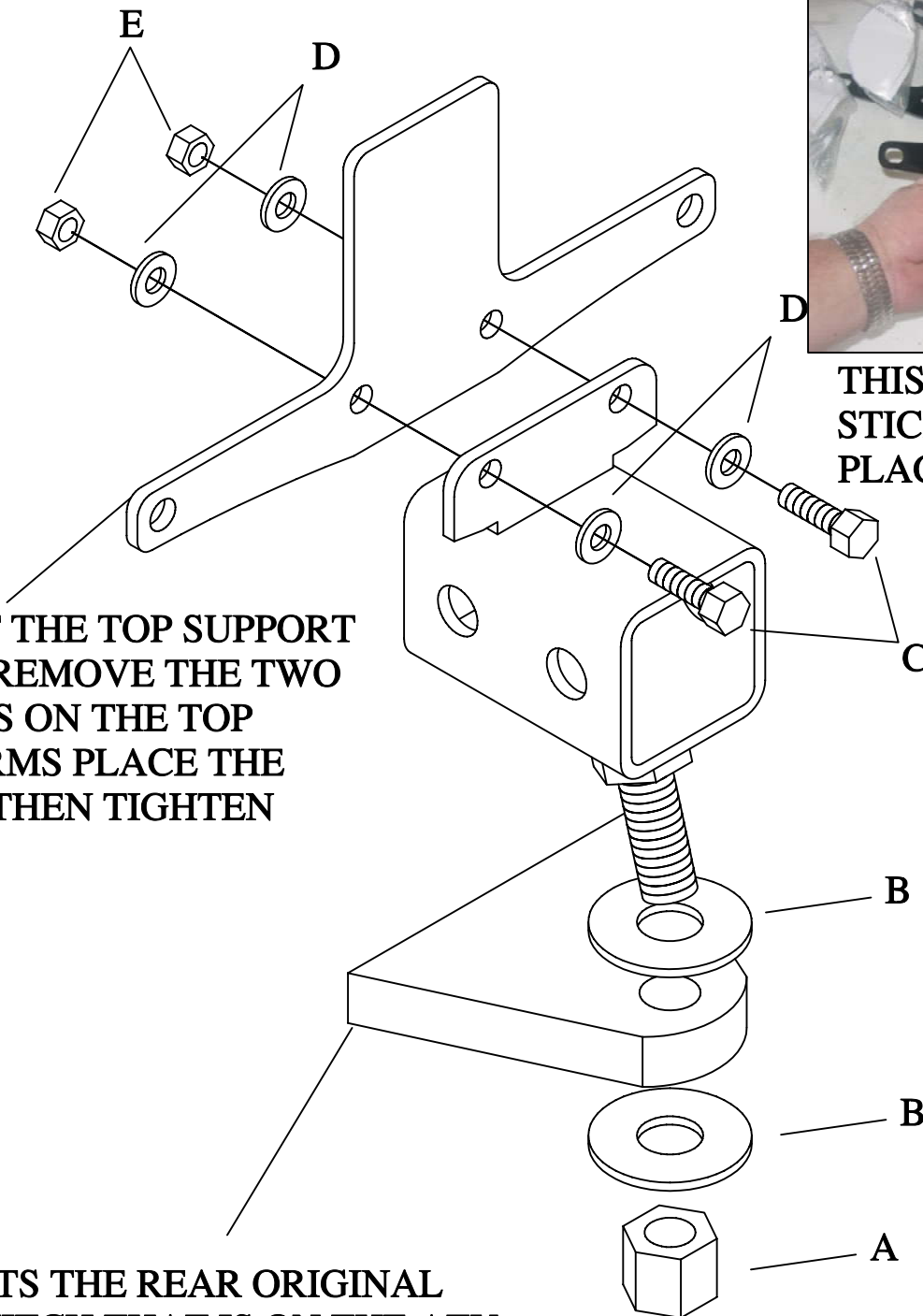


- 1=3/4 LOCK NUT-A
- 2=3/4 WASHERS-B
- 2=5/16 X 1 BOLTS-C
- 4=5/16 WASHERS-D
- 2=5/16 LOCK NUTS-E



# #RH104

## REAR RECEIVER MOUNT POLARIS SPORTSMAN'S



**THIS IS HOW THE STICKER SHOULD BE PLACED ON BRACKET.**

**TO MOUNT THE TOP SUPPORT BRACKET REMOVE THE TWO LOCK NUTS ON THE TOP REAR A-ARMS PLACE THE BRACKET THEN TIGHTEN THE NUTS.**

**REPRESENTS THE REAR ORIGINAL TRAILER HITCH THAT IS ON THE ATV.**