

2=8MM METRIC NUTS(MNNI/-M8)-A

2=8MM X 30MM BOLTS-B

18=5/16 USS WASHERS-C

8=5/16 LOCK NUTS-D

8=5/16 X 1 BOLTS-E

4=1/2 LOCK NUTS-F

8=1/2 SAE WASHERS-G

4=1/2 X 2 1/2" BOLTS-H

STRONG  MADE™

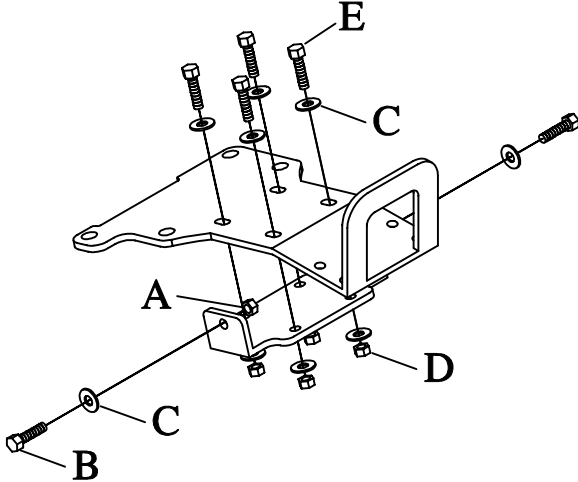
BY SAVANT MANUFACTURING, INC.

www.savantmfg.com

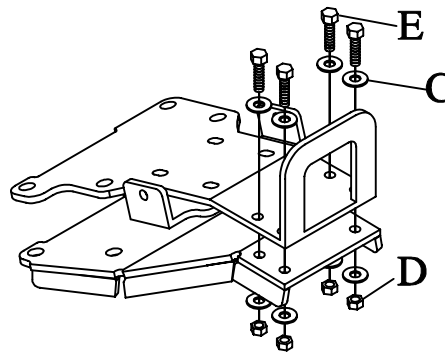
RH108

KAW. MULE 610 600

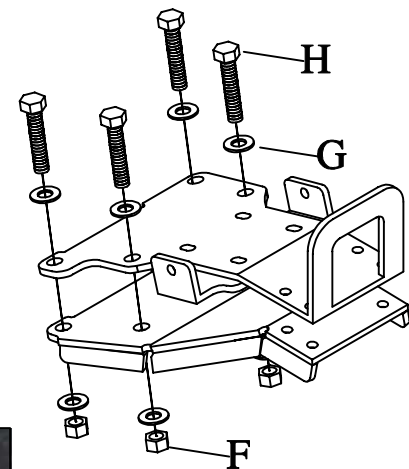
1ST STEP



2ND STEP



3RD STEP



WHEN INSTALLING LEAVE ALL BOLTS LOOSE UNTIL ALL PLATES ARE IN PLACE AND THEN PROCEED TO TIGHTEN ALL FASTENERS.

REMOVE THE STOCK BOLTS THAT HOLD THE MUFFLER TO THE BRACKETS AND INSTALL THE LONGER BOLTS THEN PLACE THE PLATE INTO PLACE AND USE THE SUPPLIED METRIC NUTS AS JAM NUTS.

