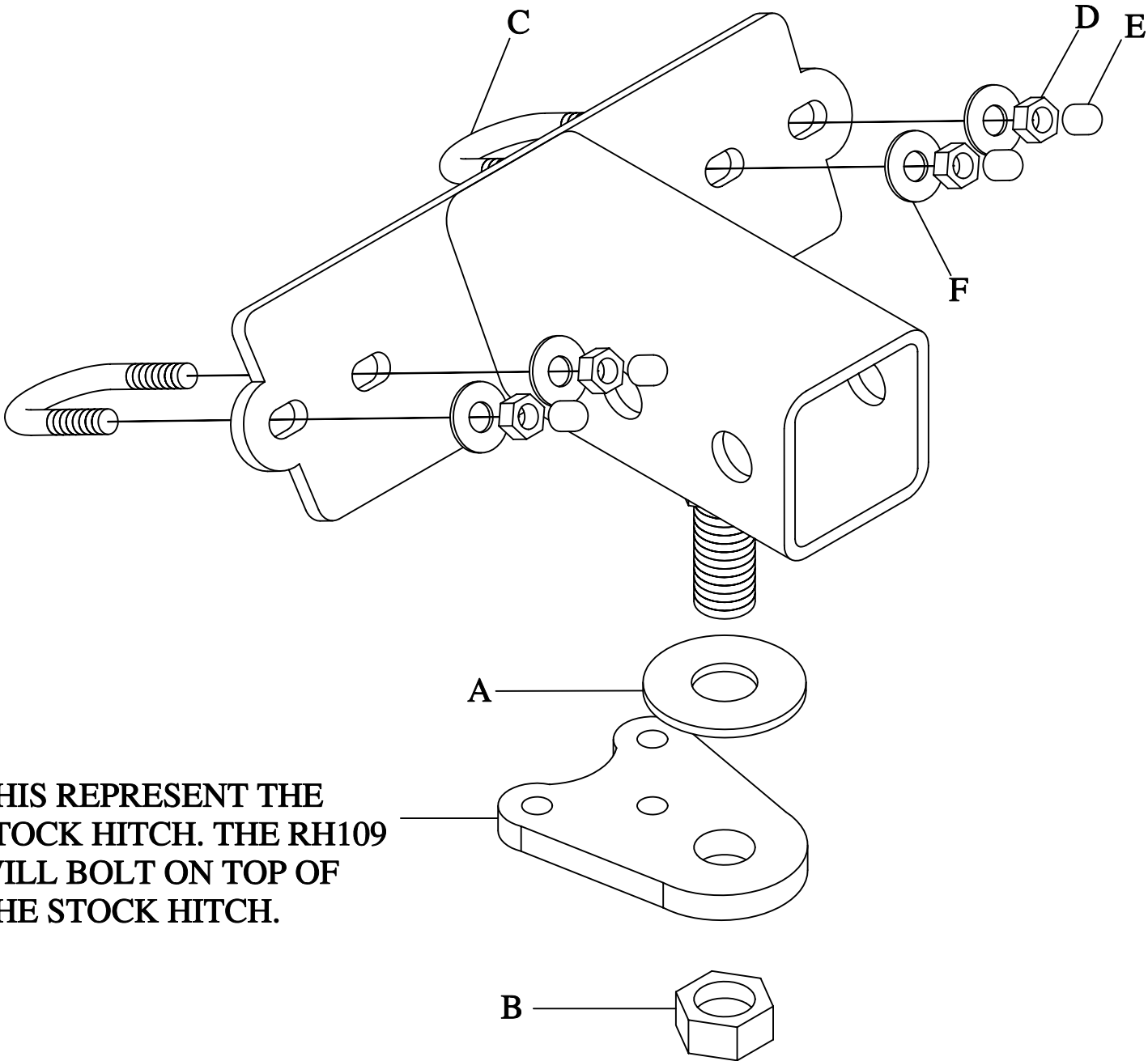




- 1=3/4 FLAT WASHSER-A
- 1=3/4 LOCK NUT-B
- 2=5/16 X 3/4 U-BOLTS-C
- 4=5/16 LOCK NUTS-D
- 4=5/16 ROD CAPS-E
- 4=5/16 USS WASHERS-F

RH109

RECEIVER HITCH KING QUAD 700 4X4



THIS REPRESENT THE STOCK HITCH. THE RH109 WILL BOLT ON TOP OF THE STOCK HITCH.