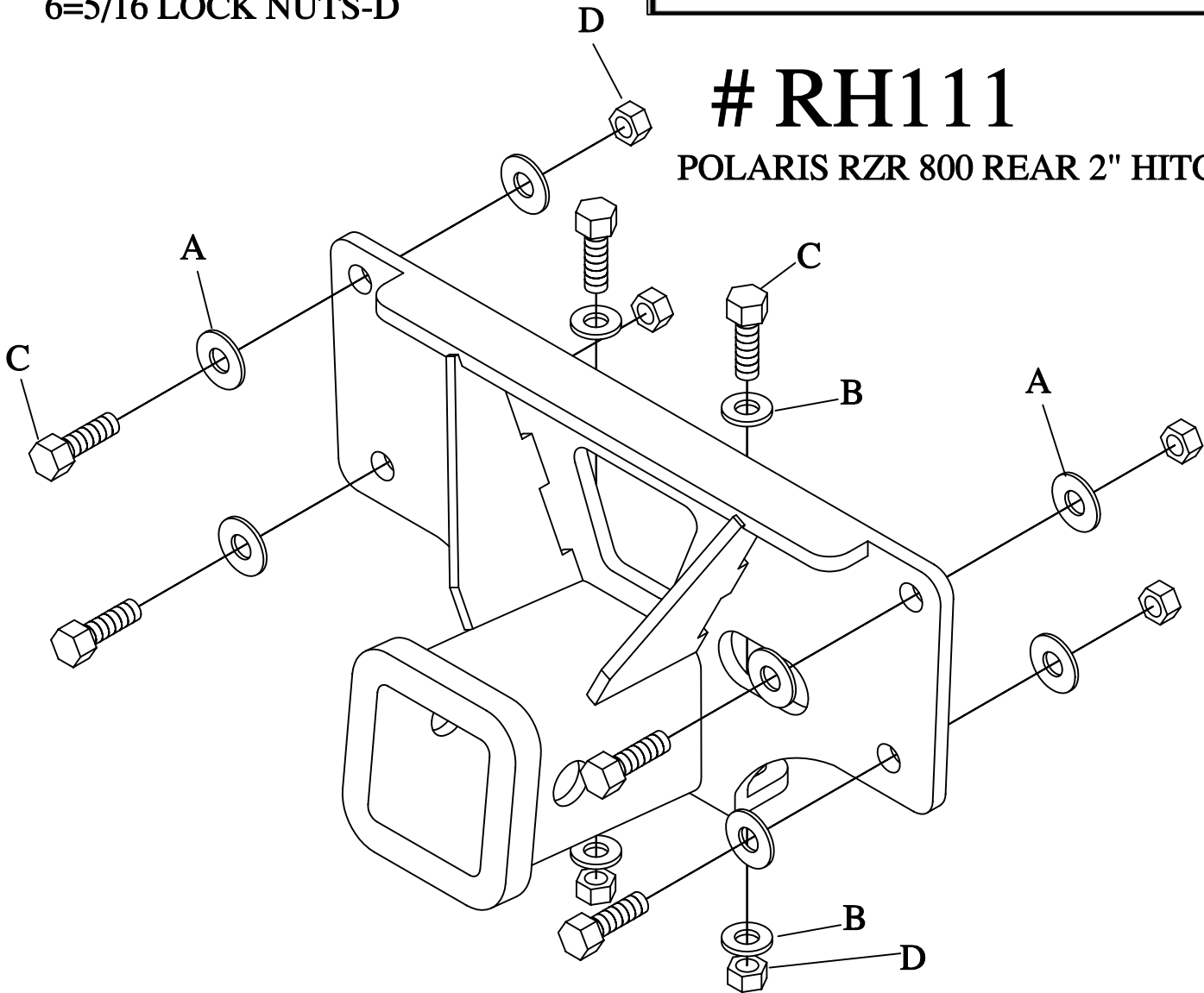


- 8=5/16 USS WASHERS-A
- 4=5/16 SAE WASHERS-B
- 6=5/16 X 1 BOLTS-C
- 6=5/16 LOCK NUTS-D



RH111

POLARIS RZR 800 REAR 2" HITCH.



REMOVE THE STOCK 1 1/4" HITCH TO INSTALL THE 2" # RH111.

SOME 2" INSERTS MAY HAVE TO BE CUT TO INSERT INTO THE # RH111. THIS IS FOR THE HOLES TO ALIGN TO INSERT THE PIN.