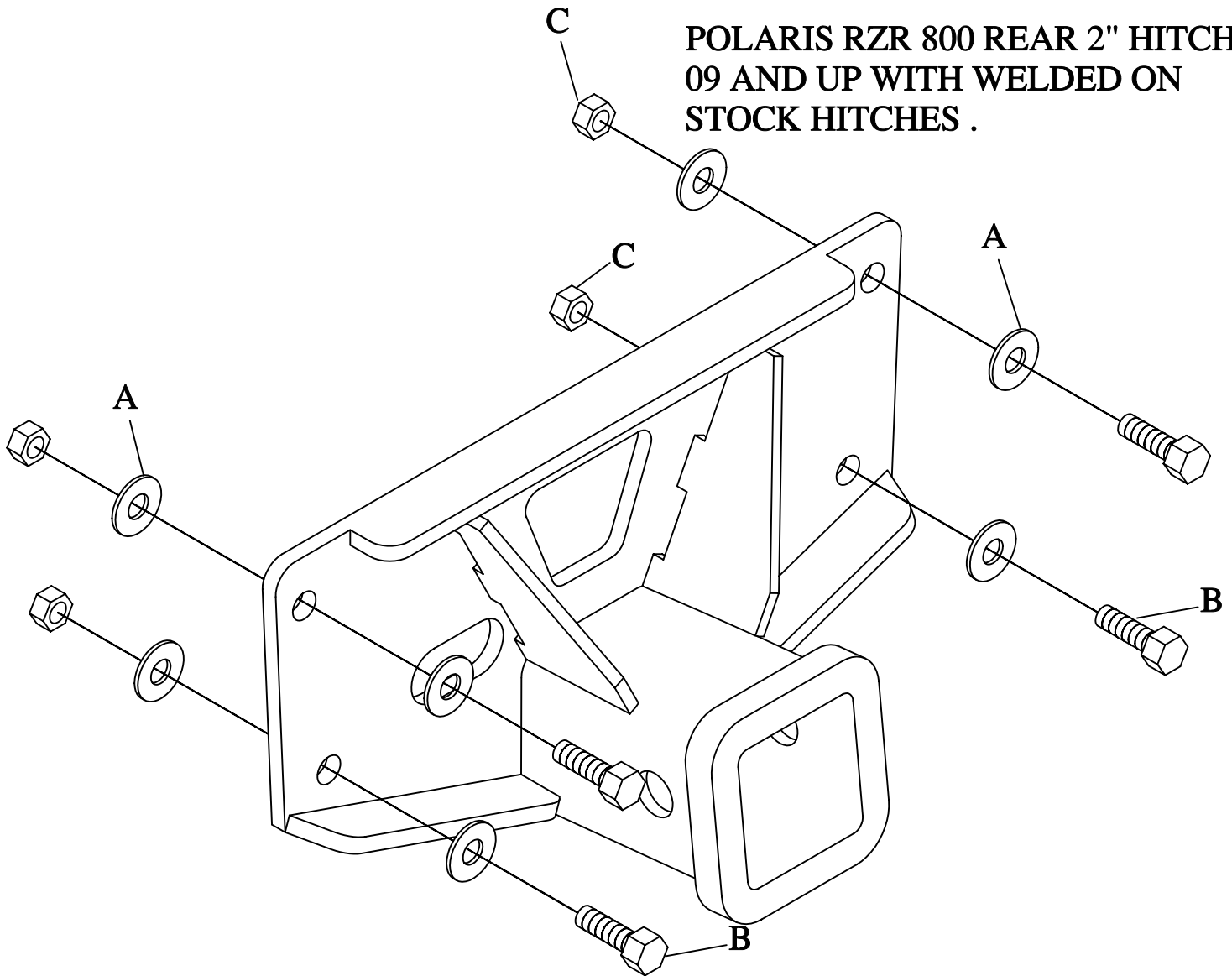


8=5/16 USS WASHERS-A
4=5/16 X 1 BOLTS-B
4=5/16 LOCK NUTS-C



RH114

POLARIS RZR 800 REAR 2" HITCH
09 AND UP WITH WELDED ON
STOCK HITCHES .



SOME 2" INSERTS MAY HAVE
TO BE CUT TO INSERT INTO
THE # RH111. THIS IS FOR THE
HOLES TO ALIGN TO INSERT
THE PIN.

