

- 12 = 1/4 LOCK NUTS-A
- 12 = 1/4 SAE WASHERS-B
- 6 = 5/16 SAE WASHERS-C
- 6 = 1/4 X 1/2 U-BOLTS-D
- 6 = #16LB TINNER RIVETS-E



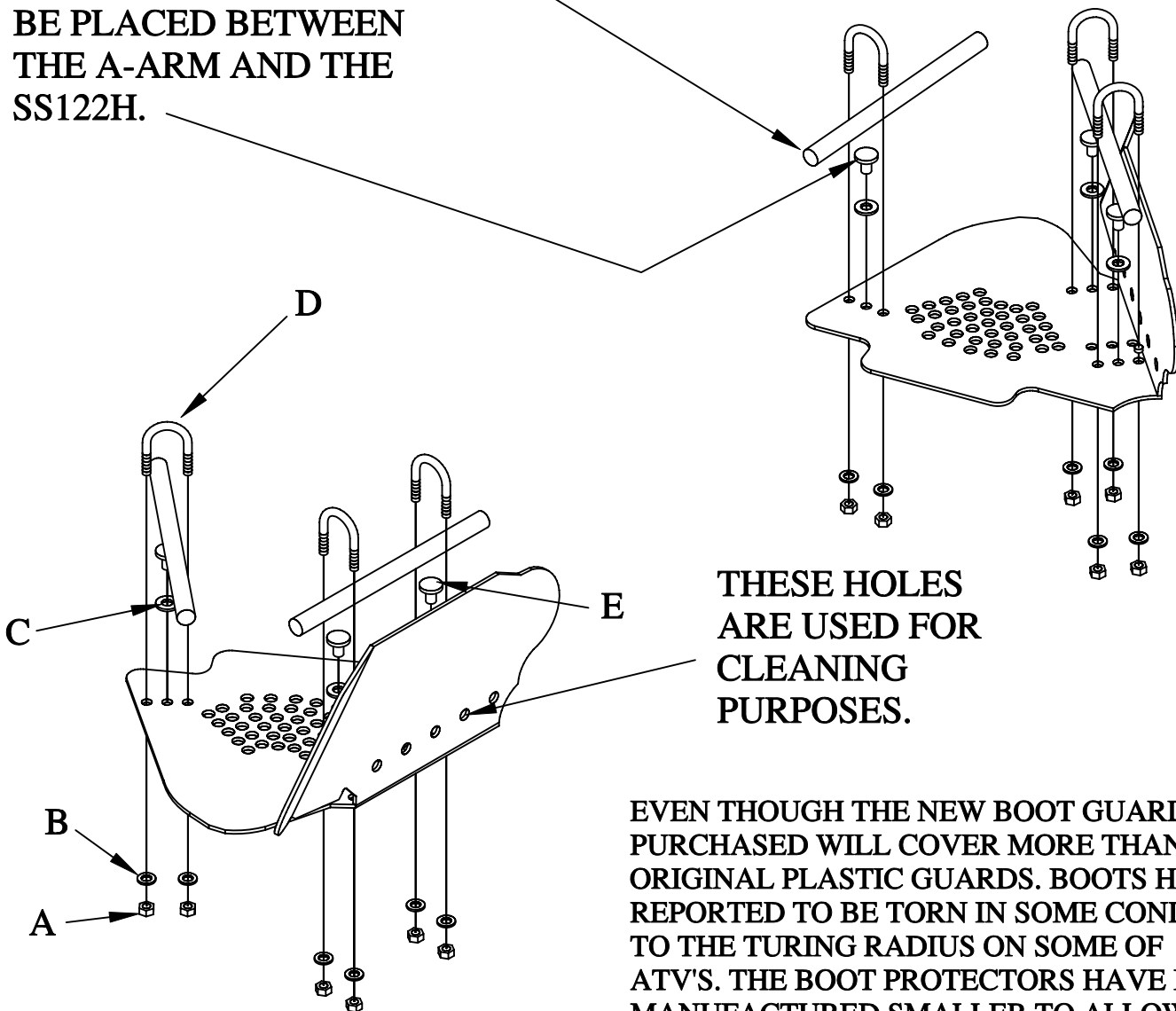
# #SS122H-AL

## HONDA 350,400,450S,450ES,500

FRONT A-ARMS ONLY.

THESE BARS REPRESENT THE A-ARMS OF THE ATV. THE SPACERS SHOULD BE PLACED BETWEEN THE A-ARM AND THE SS122H.

THESE HOLES AND SPACERS OR DESIGNED FOR WATER TO WASH THROUGH AND CLEAN OUT BETTER,



THESE HOLES ARE USED FOR CLEANING PURPOSES.

EVEN THOUGH THE NEW BOOT GUARDS YOU HAVE PURCHASED WILL COVER MORE THAN THE ORIGINAL PLASTIC GUARDS. BOOTS HAVE BEEN REPORTED TO BE TORN IN SOME CONDITIONS .DUE TO THE TURNING RADIUS ON SOME OF THE NEWER ATV'S. THE BOOT PROTECTORS HAVE BEEN MANUFACTURED SMALLER TO ALLOW FOR A TIGHTER TURNING RADIUS. SAVANT MFG. (STRONG MADE) DOES NOT WARRANTY AND TORN BOOTS.