

- 6=1/4X3/8 U-BOLTS-A
- 12=1/4 LOCK NUTS-B
- 12=1/4 SAE WASHERS-C
- 6=5/16 SAE WASHERS-D
- 6=TANNER RIVETS-E

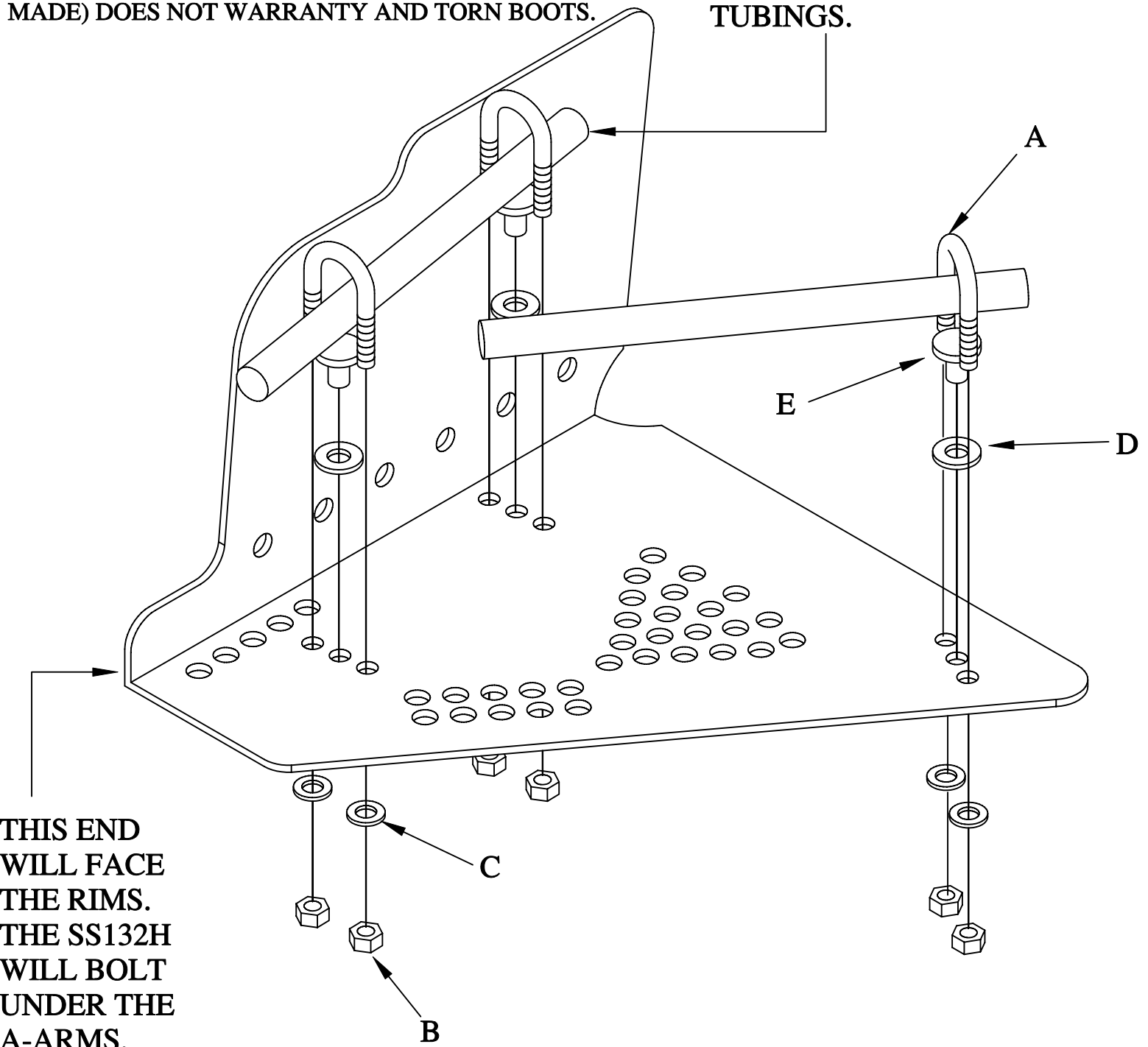


#SS132H

GRIZZLY 660 VENTED STYLE
STICK STOPPERS

EVEN THOUGH THE NEW BOOT GUARDS YOU HAVE PURCHASED WILL COVER MORE THAN THE ORIGINAL PLASTIC GUARDS. BOOTS HAVE BEEN REPORTED TO BE TORN IN SOME CONDITIONS .DUE TO THE TURING RADIUS ON SOME OF THE NEWER ATV'S. THE BOOT PROTECTORS HAVE BEEN MANUFACTURED SMALLER TO ALLOW FOR A TIGHTER TURING RADIUS. SAVANT MFG. (STRONG MADE) DOES NOT WARRANTY AND TORN BOOTS.

REPRESENTS THE A-ARM
TUBINGS.



THIS END
WILL FACE
THE RIMS.
THE SS132H
WILL BOLT
UNDER THE
A-ARMS.