

8=1/4X1 1/4 BOLTS-A
 8=1/4 LOCK NUTS-B
 16=1/4 SAE SMALL WASHERS-C

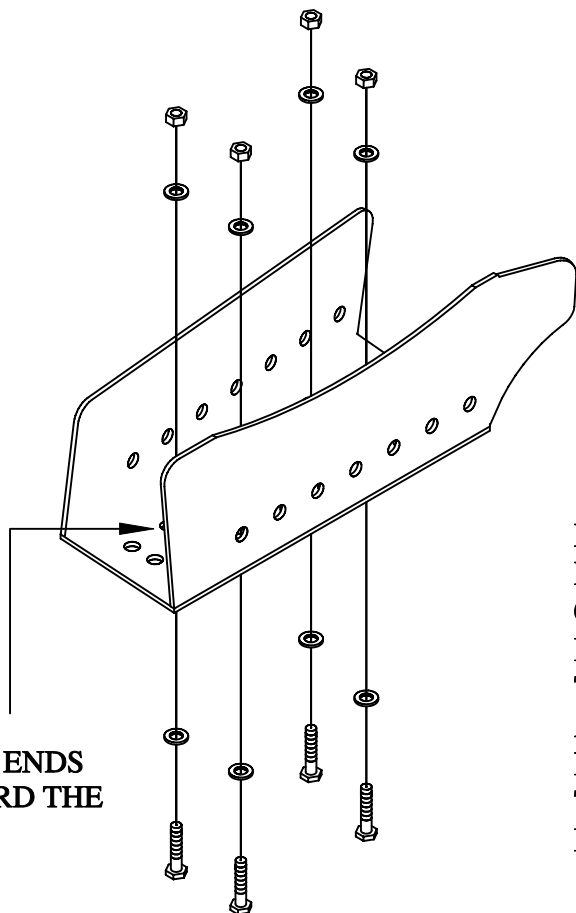
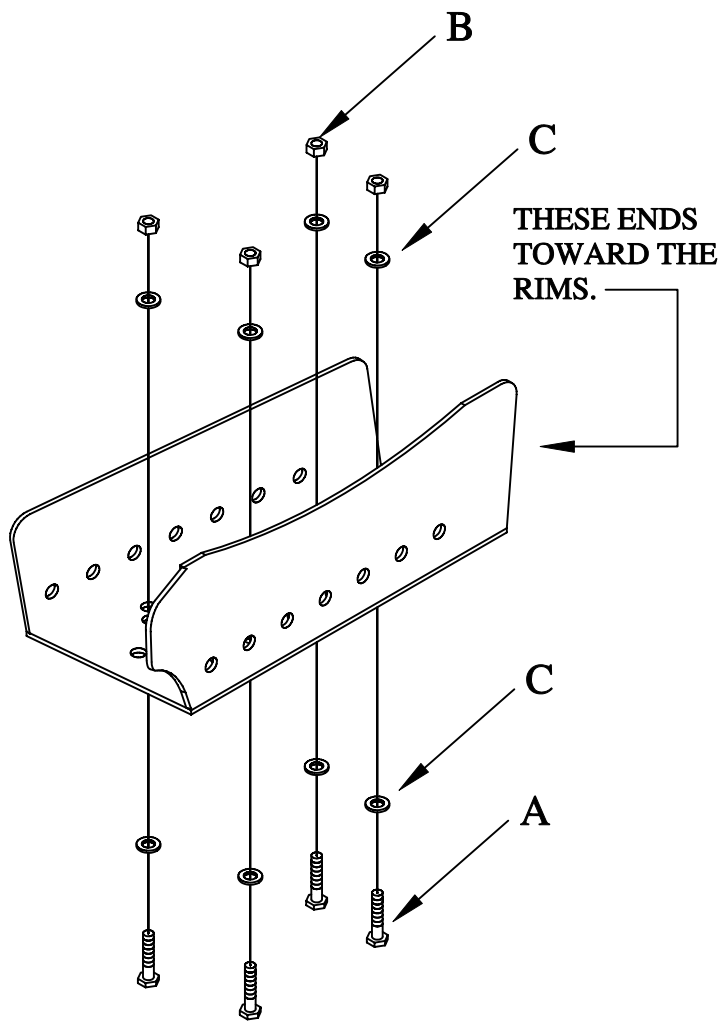
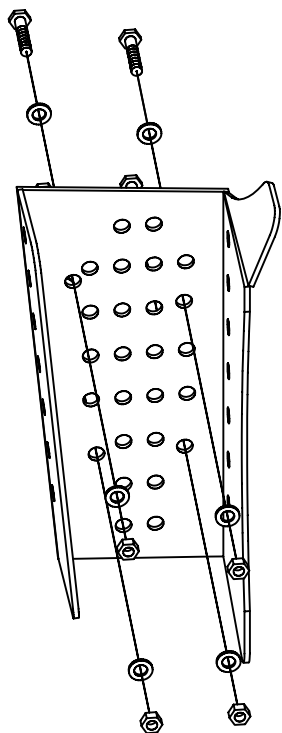


SS141H-ATB

HONDA RINCON 650
 4X4 REAR STICK STOPPERS

THE SIMPLEST WAY TO MOUNT THE SS141H-ATB STICK STOPPERS ARE TO REMOVE THE WHEEL ON EACH SIDE THEN PROCEED TO REMOVE THE PLASTIC GUARDS INSTALL IN THE SAME HOLES THAT ARE IN THE A-ARMS.

THE SS141H WILL MOUNT UNDER THE A-ARMS.



EVEN THOUGH THE NEW BOOT GUARDS YOU HAVE PURCHASED WILL COVER MORE THAN THE ORIGINAL PLASTIC GUARDS. BOOTS HAVE BEEN REPORTED TO BE TORN IN SOME CONDITIONS .DUE TO THE TURING RADIUS ON SOME OF THE NEWER ATV'S. THE BOOT PROTECTORS HAVE BEEN MANUFACTURED SMALLER TO ALLOW FOR A TIGHTER TURING RADIUS. SAVANT MFG. (STRONG MADE) DOES NOT WARRANTY AND TORN BOOTS.