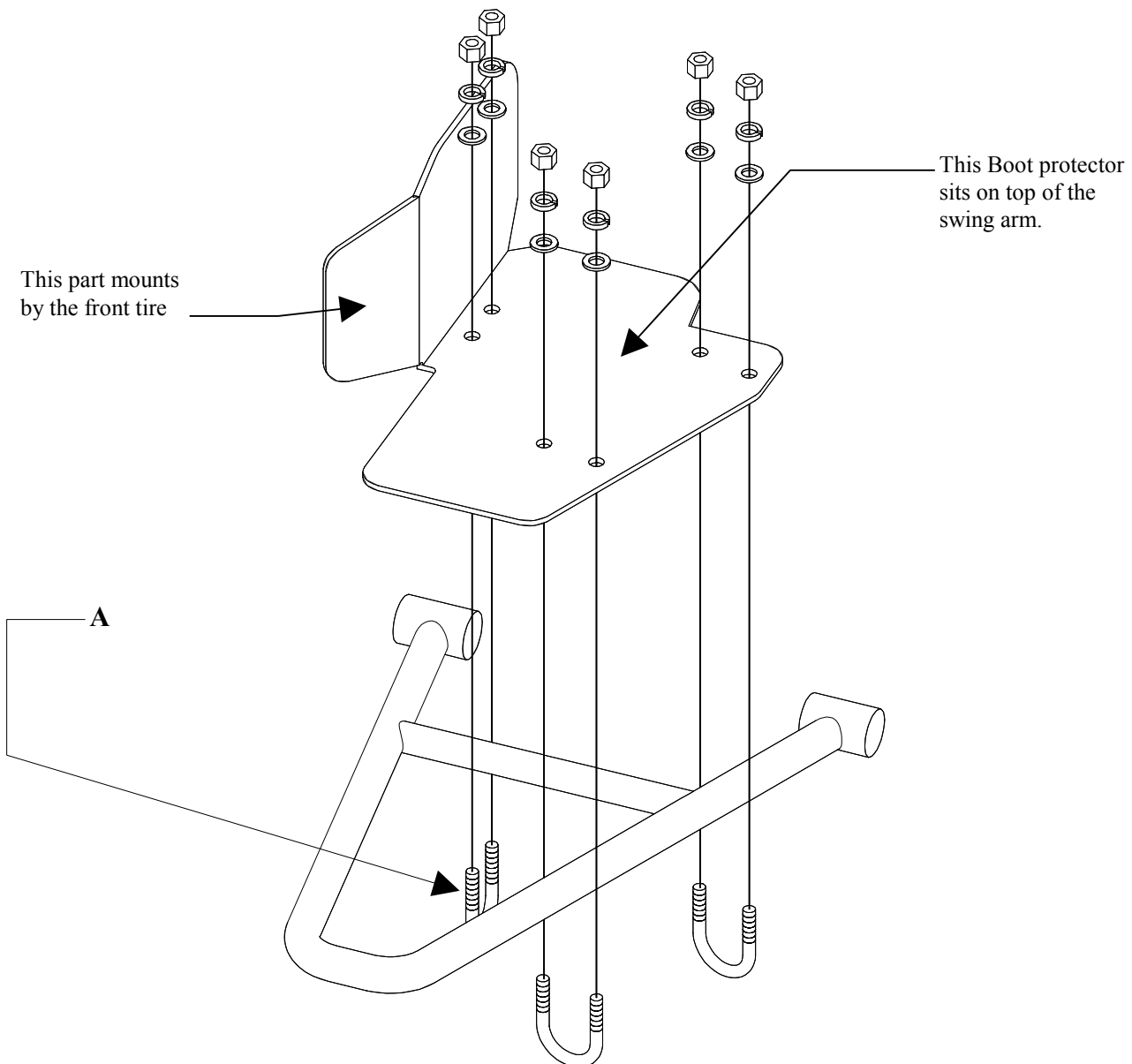


- 4 = 1/4 x 1/2 U-Bolts
- 2 = 1/4 x 3/8 U-Bolts = A
- 12 = 1/4 Flat Washers (SAE)
- 12 = 1/4 Lock Washers
- 12 = 1/4 Nuts



SS119 for the Yamaha Grizzly



Take a look at us at
www.savantmfg.com