

UTV-Tool-Bar-103

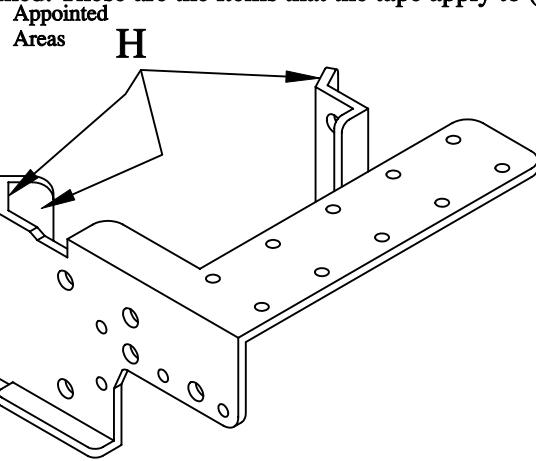


Pack list

- 20 = 5/16 SAE = A
- 12 = 5/16 Lock Nuts = B
- 4 = 5/16 x 1 Bolts = C
- 8 = 5/16 x 2 1/4 Bolts = D
- 8 = 7/16 SAE = E
- 4 = 7/16 Lock Nuts = F
- 4 = 7/16 x 2 Bolts = G
- 1 = 1/16"x 2"x 30" long Neoprene Foam Rubber = H

- 2 = Lock Plates (UTV-BAR-103-3-BO) = I
- 1 = Channel Caps Right side (UTV-Bar-103-4-BO) = J
- 1 = Channel Caps Left side (UTV-Bar-103-5-BO) = K
- 1 = Main Bracket Right side (UTV-BAR-103-1-BO) = L
- 1 = Main Bracket Left side (UTV-BAR-103-2-BO) = M
- 1 = 1 1/4" x 44" x 14 Ga. Square Tubing = N
- 2 = 1 1/4" x 1 1/2" x 14 Ga. Square Tubing = O
- 4 = 1/4 LOCK NUTS-P
- 8 = 1/4 SAE WASHERS-Q
- 4 = 1/4 X 1 BOLTS -R

The neoprene foam rubber (H) has to be put in these appointed areas and then trimmed. Do not remove paper backing until completely trimmed. These are the items that the tape apply to (I, L, M,).



The UTV-Tool-Bar-103, is installed behind the roll cage of the UTV's. Put the left side on (I, M, K) first and make sure the the dump bed will be able to complete dump. Next put the right side on (L, I, J). The bar (N) will be in the center of the (M) and (L). The bar (N) has to sit on each channel cap (J & K) at least 1" are more. The tubing that is 1 1/2" long (O) are spacer blocks, they are placed away from the 44" tubing bar (N). One on each side of the tubing bar (N). Next make sure that the tubing bar (N) is level. Next tighten all nuts and bolt up. Now you are ready for the bolt on accessories.

