

6=1/2" FINE THREAD BOLTS-A

6=1/2" X 1" FINE BOLTS-B

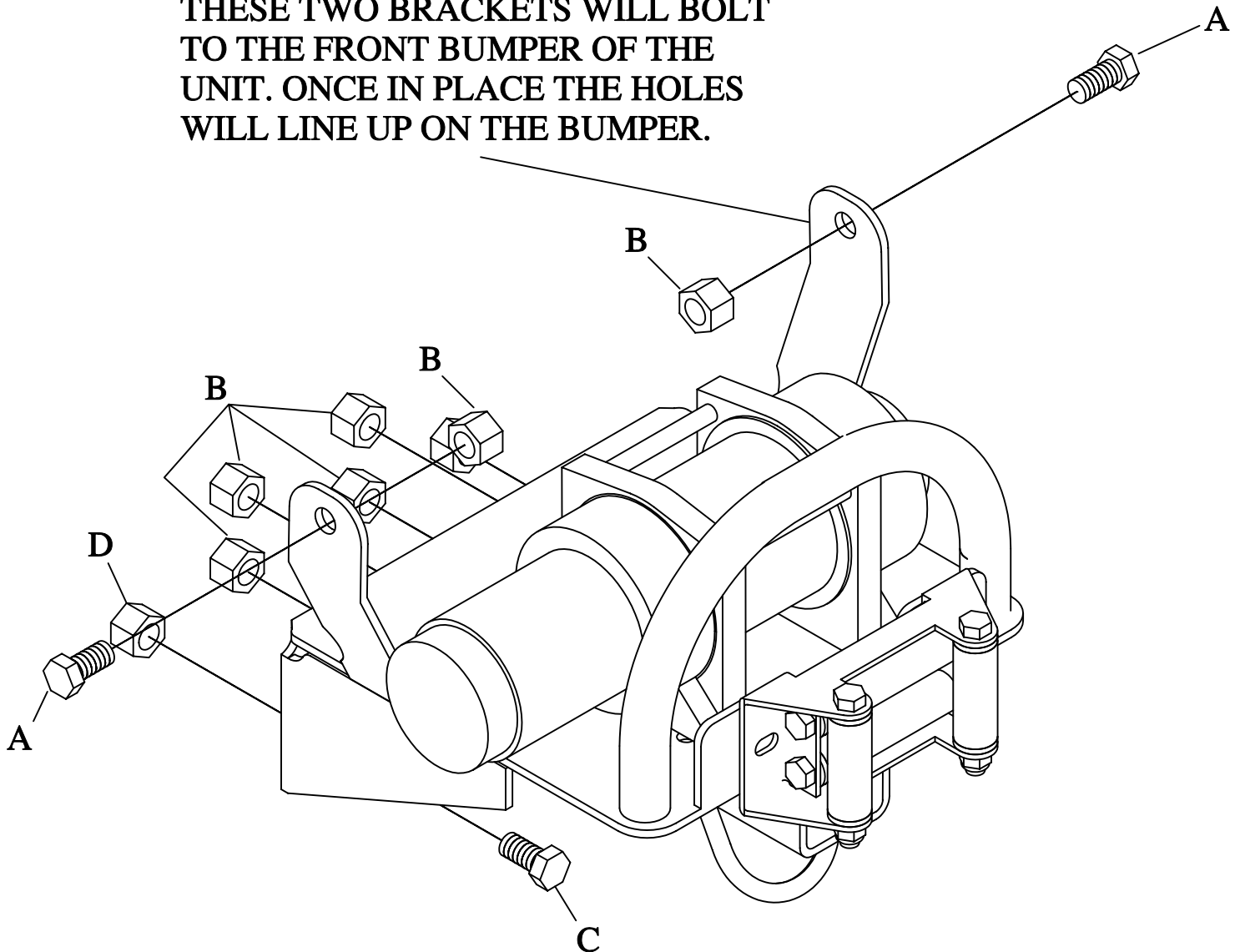
2=3/4" X 1 3/4" BOLTS-C

2=3/4" NUTS-D



# #WRM102

THESE TWO BRACKETS WILL BOLT TO THE FRONT BUMPER OF THE UNIT. ONCE IN PLACE THE HOLES WILL LINE UP ON THE BUMPER.



MANUFACTURED BY SAVANT MFG.