



A = 4 = 5/16 Flat Washers (Large USS)

B = 4 = 5/16X1 BOLTS

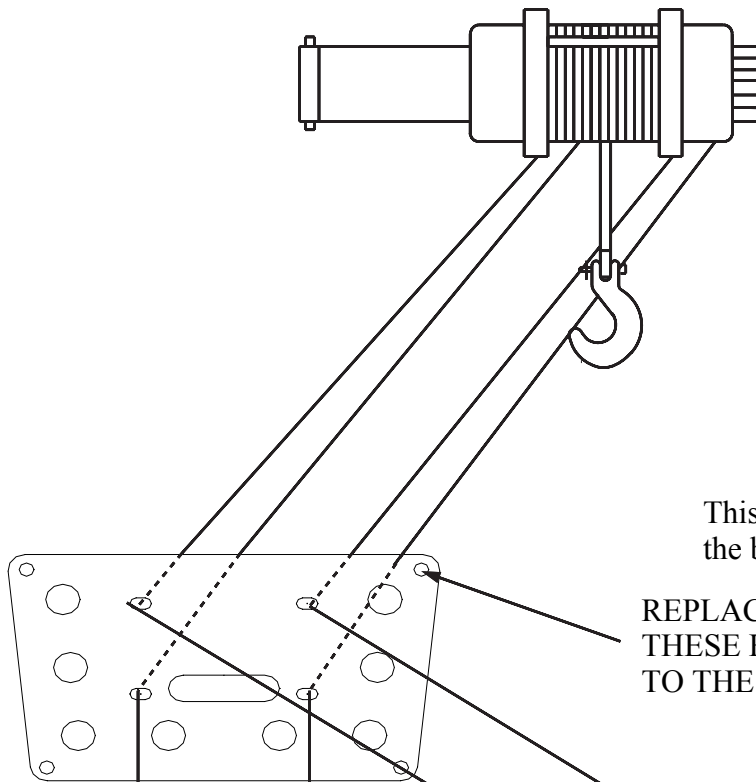
2=5/16X1 1/2 BOLTS

2=5/16 USS WASHERS

THIS PLATE WAS DESIGN TO FIT THE RAMSEY 2500LB AND WARN'S 2000LB , 2500LB WINCHES.

298005-R24

ARTIC CAT 250,300,400 500 454 4X2 4X4



This plate bolts to the front of the bumper.

REPLACE THE STOCK BOLTS IN THESE HOLES TO MOUNT THE PLATE TO THE ATV.

IF YOU ARE USING THE HAWSE FROM WARN INSTEAD OF A ROLLER FAIRLEAD USE THE HARDWARE FROM THE TOP OF THE PAGE.

