

- 4=1/4X1/2 UBOLTS=A
- 8=1/4 LOCK NUTS=B
- 8=1/4 USS (Large) WASHERS=C
- 2=5/16X3/4 U-BOLTS-D
- 4=5/16 LOCK NUTS-E
- 8=5/16 SAE WASHERS-F

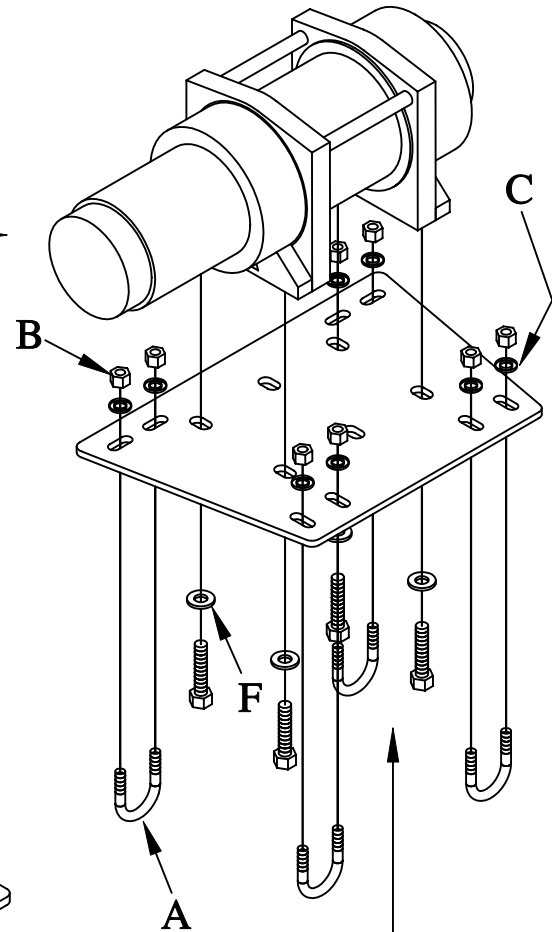


THIS PLATE IS DESIGNED TO FIT THE RAMSEY 2500LB, AND ALSO THE WARN 2000LB , 2500LB WINCHES. RAMSEY'S WINCH IS SUPPLIED WITH A ROLLER FAIRLEAD. THE WARN WILL COME WITH A HAWSE FAIRLEAD. THIS DEPENDS ON THE WINCH THAT IS PURCHASED. BOTH THE ROLLER OR HAWSE FAIRLEAD WILL MOUNT IN THAT SPECIFIC POSITION.

298009-R36

HONDA 350ES 4X4

IF THE HAWSE FAIRLEAD FROM WARN IS USED IN PLACE OF THE ROLLER FAIRLEAD USE THE BOLTS AND NUTS THAT OR ON THE HAWSE.



THE ROLLER PLATE WILL MOUNT BEHIND THE TWO BARS THAT ARE IN THE FRONT OF ATV. USE THESE 5/16X3/4 UBOLTS-D.

THE WINCH AND THE ROLLER FAIRLEAD WILL HAVE ITS OWN HARDWARE TO MOUNT TO THE PLATES. IT WILL COME IN THE WINCH.

THE WK36 MOUNTS BEHIND THE TWO HEAD LIGHTS ON TOP OF THE TWO ONE INCH BARS THAT RUN PARALLEL WITH THE BIKE. USING THE FOUR 1/4X1/2 UBOLTS THAT ARE SUPPLIED IN THE HARDWARE.