



- 4 = 5/16 x 2 3/4 Bolts
- 4 = 5/16 Lock Nuts
- 12 = 5/16 SAE Flat Washers
- 4 = 3/16 x 1 1/4 x 1 1/4 Round Clips
- 4=5/16X1 BOLTS
- 2=5/16 USS WASHERS
- 2=5/16X1 1/2 BOLTS

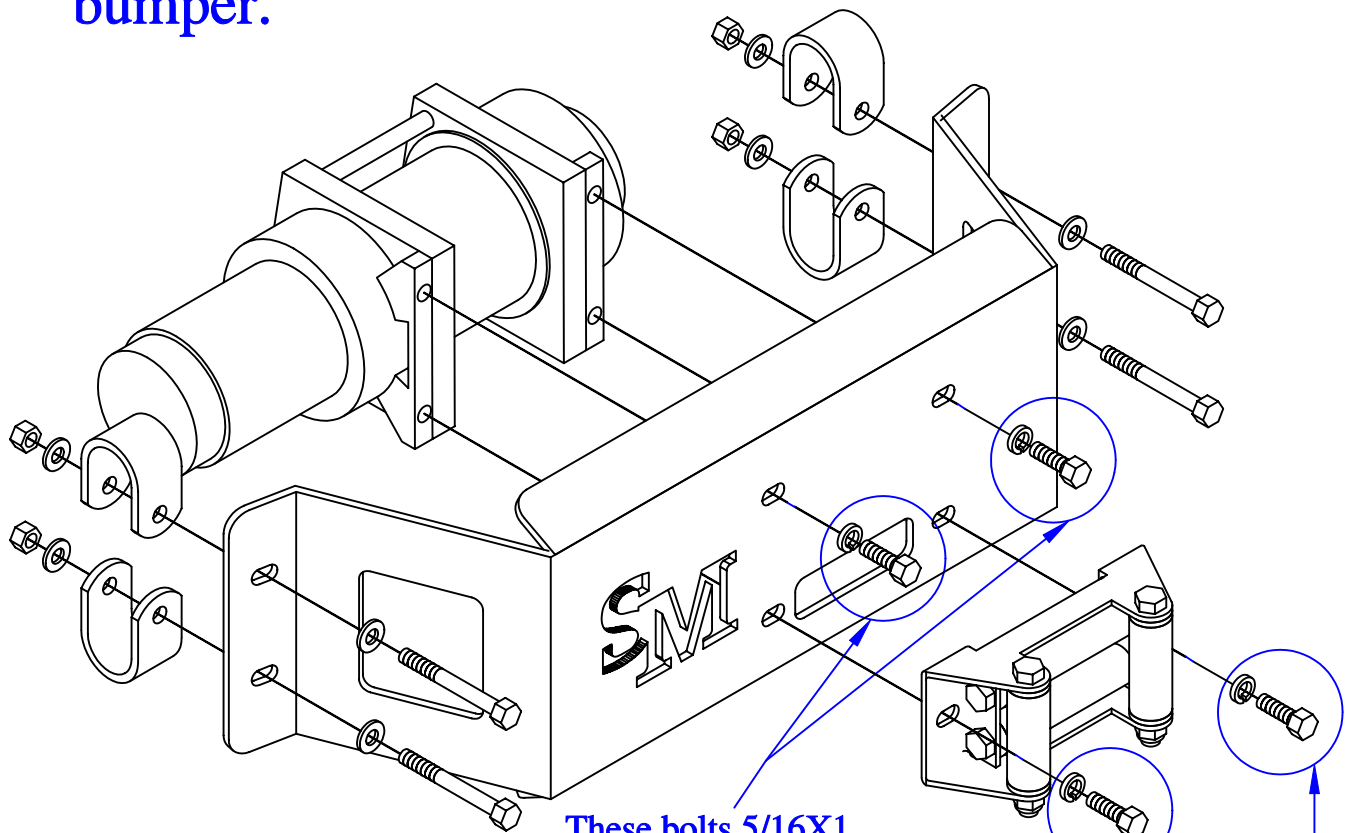
RAMSEY'S WINCH IS SUPPLIED WITH A ROLLER FAIRLEAD. THE WARN WILL COME WITH A HAWSE FAIRLEAD. THIS DEPENDS ON THE WINCH THAT IS PURCHASED. BOTH THE ROLLER OR HAWSE FAIRLEAD WILL MOUNT IN THAT SPECIFIC POSITION.

298011-R32

99-01 KAWASAKI PRIARIE 400

IF THE HAWSE FAIRLEAD FROM WARN IS USED IN PLACE OF THE ROLLER FAIRLEAD USE THIS HARDWARE.

This winch plate mounts in front of the bumper.



These bolts 5/16X1, 5/16 SAE WASHERS.

USE THE 5/16 USS WASHERS AND THE 5/16X1 1/2 BOLTS HERE IF A HAWSE FAIRLEAD IS USED.