

2=5/16X1 BOLTS-A
 2=5/16 SAE WASHERS-B
 6=1/4X7/8 BOLTS-C
 6=1/4 SAE WASHERS-D
 6=1/4 REPLACEMENT
 U-NUTS (#13465)-E



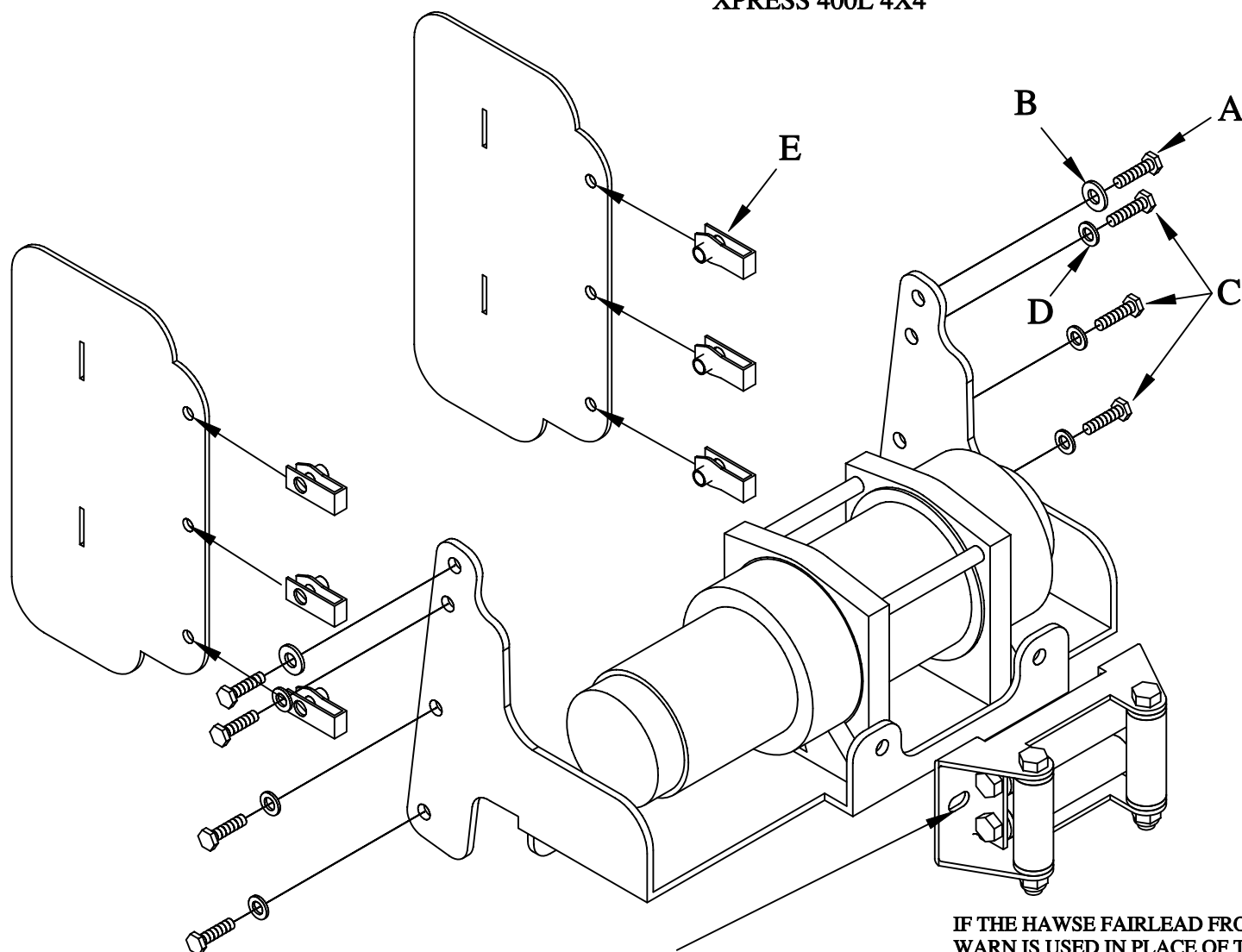
THIS PLATE IS DESIGNED TO FIT THE RAMSEY 2500LB AND ALSO THE WARN 2000LB , 2500 LB WINCHES. RAMSEY'S WINCH IS SUPPLIED WITH A ROLLER FAIRLEAD. THE WARN WILL COME WITH A HAWSE FAIRLEAD. THIS DEPENDS ON THE WINCH THAT IS PURCHASED. BOTH THE ROLLER OR HAWSE FAIRLEAD WILL MOUNT IN THAT SPECIFIC POSITION.

298018-R41

POLARIS

MAGNUM 500 325 4X4 DIESEL 500 4X4
 EXPLORER 300 400L 500 4X4
 SPORTSMAN 500 335 4X4
 SPORTSMAN 6X6
 XPEDITION 425 325 4X4
 XPRESS 400L 4X4

MUST REMOVE THE ORIGINAL U-NUTS AND REPLACE THEM WITH THE U-NUTS SUPPLIED (E).



IF THE HAWSE FAIRLEAD FROM WARN IS USED IN PLACE OF THE ROLLER FAIRLEAD USE THE BOLTS AND NUTS THAT OR ON THE HAWSE

WINCH AND THE ROLLER FAIRLEAD WILL COME WITH ITS OWN HARDWARE TO MOUNT TO THE PLATE. IN THE WINCH.

SAVANT'S MFG PH. # 1-800-326-6880

EMAIL ADDRESS www.savantmfg.com