



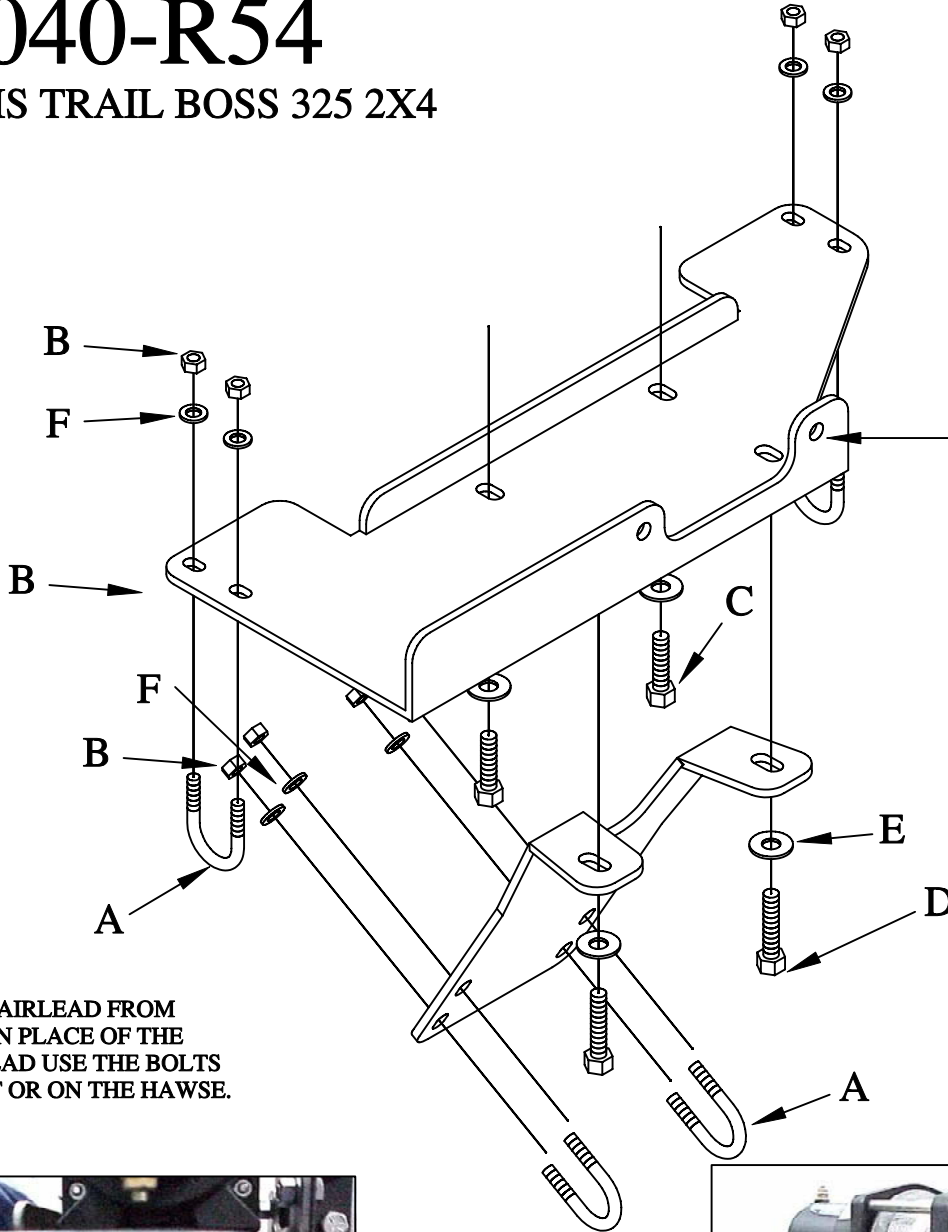
- 4=1/4X1/2 U-BOLTS-A
- 8=1/4 LOCK NUTS-B
- 2=5/16X1 BOLTS-C
- 2=5/16X1 1/4 BOLTS-D
- 4=5/16 USS WASHERS-E
- 8=1/4 SAE WASHERS-F

**THIS PLATE IS DESIGNED TO FIT THE RAMSEY 2500LB AND ALSO THE WARN 2000LB , 2500LB WINCHES. RAMSEY'S WINCH IS SUPPLIED WITH A ROLLER FAIRLEAD. THE WARN WILL COME WITH A HAWSE FAIRLEAD. THIS DEPENDS ON THE WINCH THAT IS PURCHASED. BOTH THE ROLLER OR HAWSE FAIRLEAD WILL MOUNT IN THAT SPECIFIC POSITION.**

# 298040-R54

02-POLARIS TRAIL BOSS 325 2X4

**MOUNT THE ROLLER FAIRLEAD OR HAWSE HERE.**



**IF THE HAWSE FAIRLEAD FROM WARN IS USED IN PLACE OF THE ROLLER FAIRLEAD USE THE BOLTS AND NUTS THAT OR ON THE HAWSE.**

