

- 2=1/4X1 SQUARE YELLOW U-BOLTS-A
- 4=1/4" USS WASHERS-B
- 4=1/4" LOCK NUTS-C

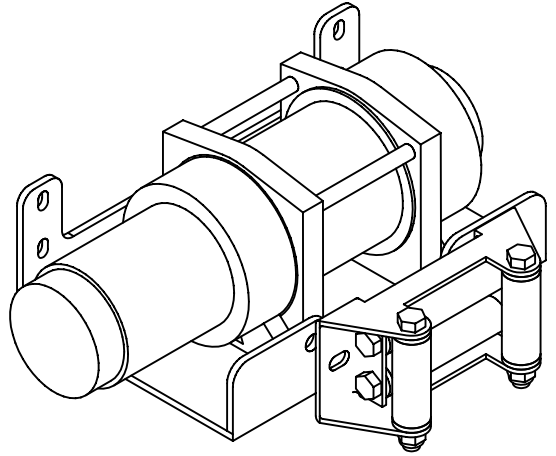
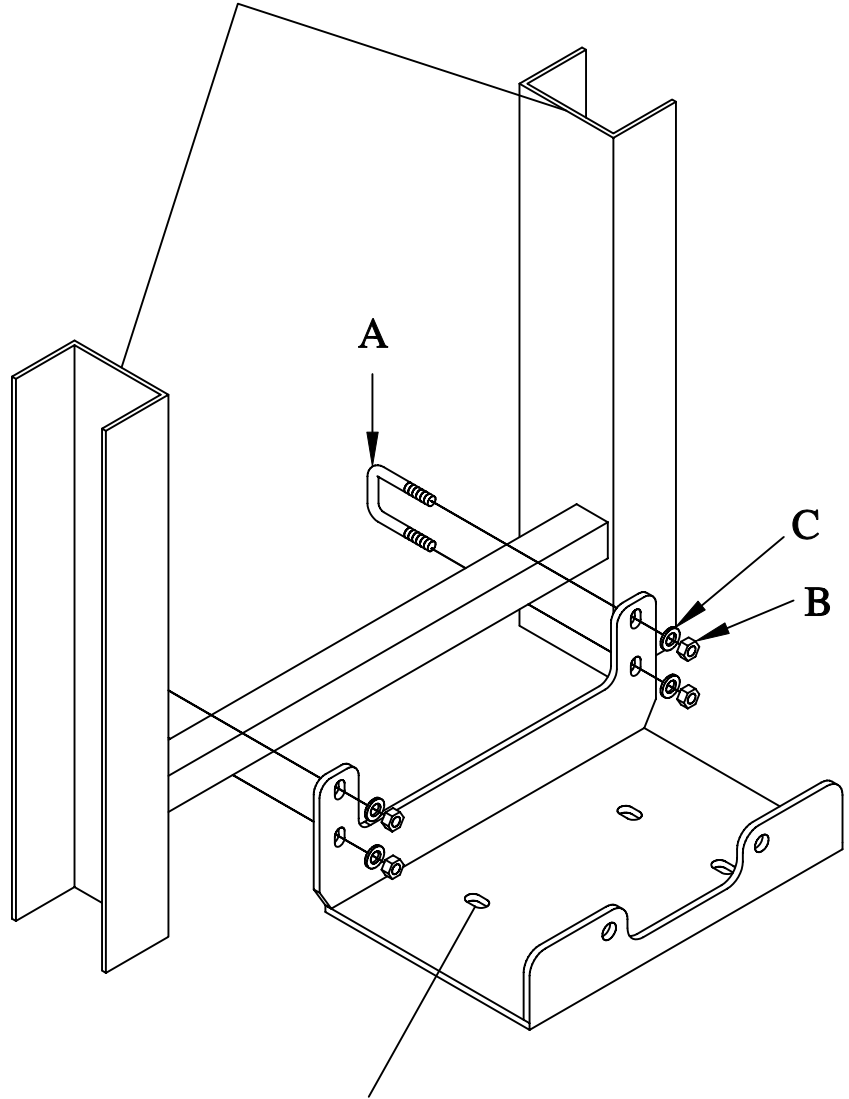


#298101-R81

YAMAHA RINO 660 4X4

THIS REPRESENTS THE FRAME ON THE RINO.

IF THE WARN RT25 IS USED MUST USE THE METRIC BOLTS THAT ARE SUPPLIED WITH THE HARDWARE IN THE BAG WITH THE WINCH. THESE BOLTS ARE USED TO MOUNT THE WINCH TO THE PLATE.



THESE FOUR 5/16X1 BOLTS 5/16 WASHERS WILL COME WITH THE WINCH THAT IS PURCHASED...