

10=5/16 X 1 BOLTS  
16=5/16 USS WASHERS  
6=5/16 LOCK NUTS



## 298103-R80

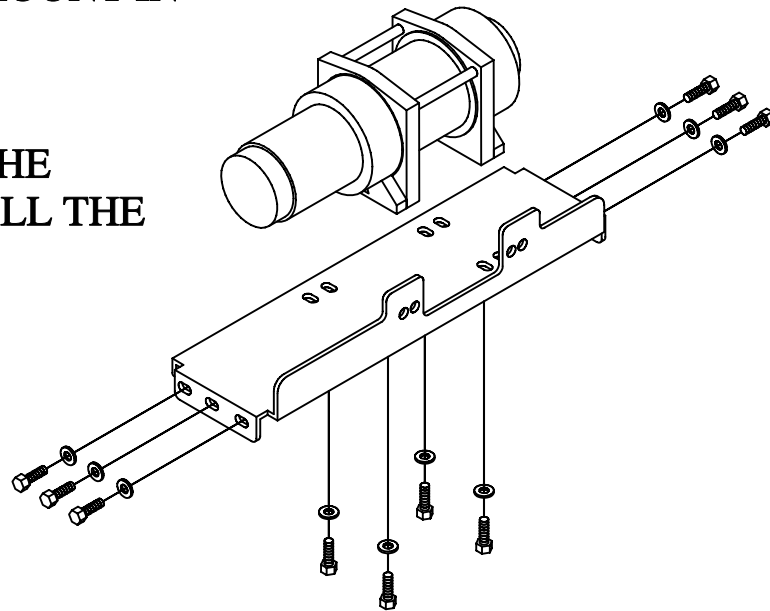
IF THE HAUS FAIRLEAD FROM  
WARN IS USED IN PLACE OF THE  
ROLLER FAIRLEAD USE THE BOLTS  
AND NUTS THAT OR ON THE HAUS.

**THIS PLATE IS DESIGNED TO FIT THE RAMSEY  
2500LB, AND ALSO THE WARN 2000LB , 2500LB ,  
3000LB AND 3500LB WINCHES.**

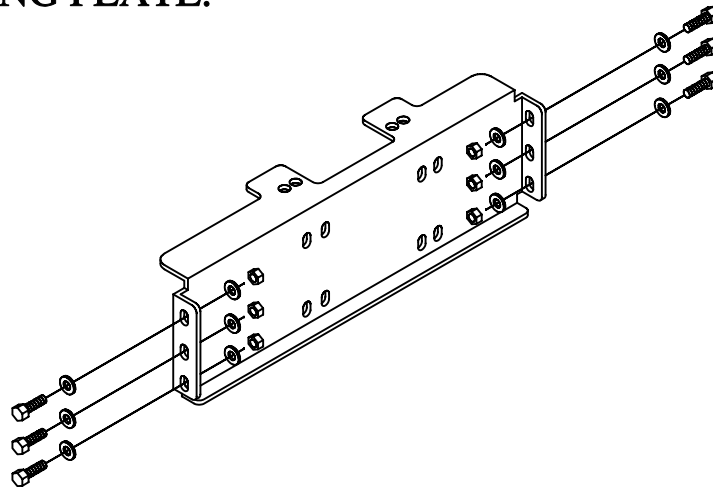
RAMSEY'S WINCH IS SUPPLIED WITH A ROLLER  
FAIRLEAD. THE WARN WILL COME WITH A HAUS  
FAIRLEAD. THIS DEPENDS ON THE WINCH THAT IS  
PURCHASED. BOTH THE ROLLER OR HAUS FAIRLEAD  
WILL MOUNT IN THAT SPECIFIC POSITION.

**THE PLATE WILL BOLT BEHIND THE  
FRONT BUMPER. THIS IS AN INSIDE  
MOUNT, THE PLATE WILL MOUNT IN  
THE FRONT CAVITY...**

**MAY HAVE TO REMOVE THE  
FRONT BUMPER TO INSTALL THE  
PLATE..**



**BOTTOM VIEW OF THE  
MOUNTING PLATE.**



**SAVANT'S MFG PH. # 1-800-326-6880**

**EMAIL ADDRESS [www.savantmfg.com](http://www.savantmfg.com)**