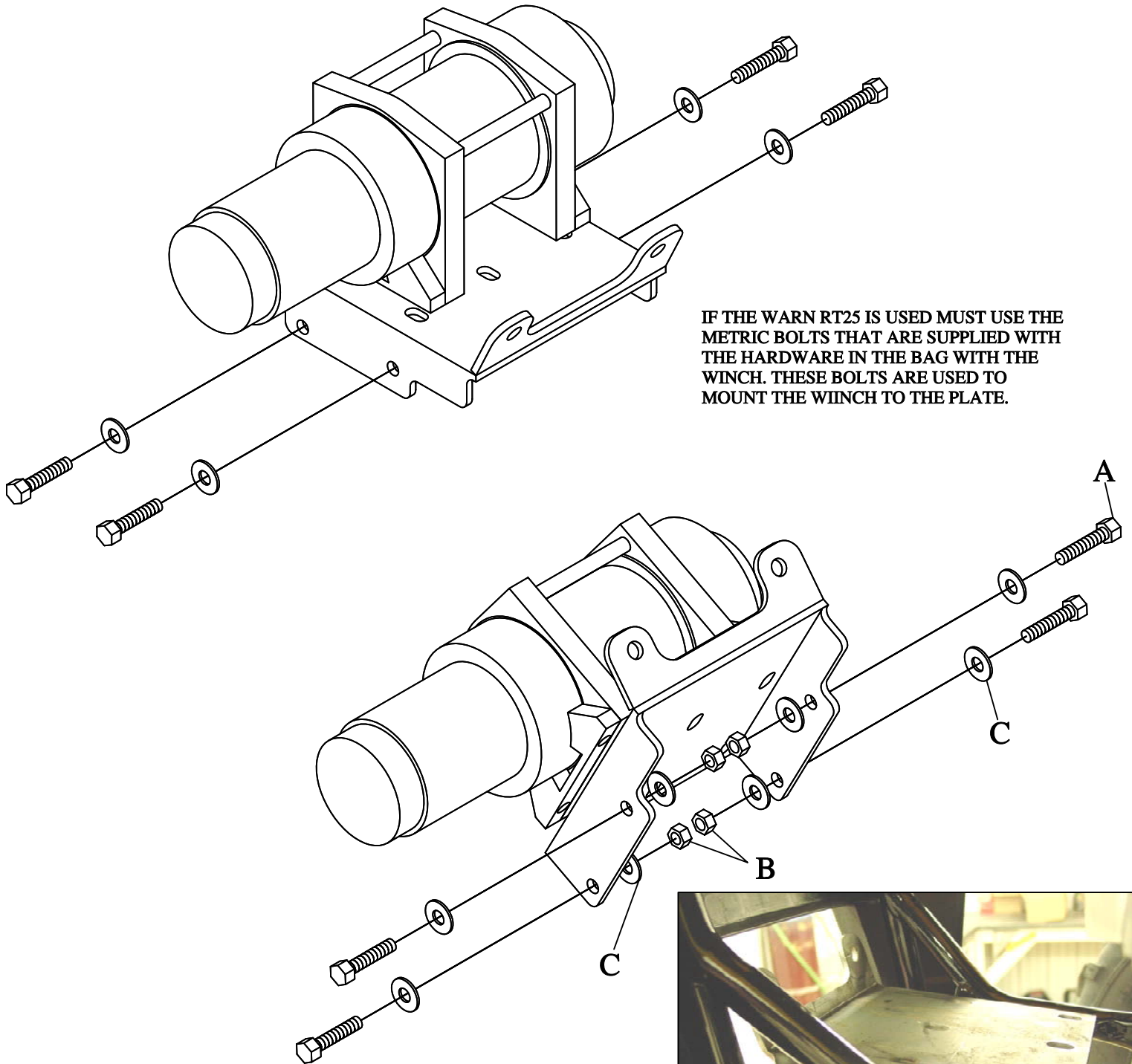


4=5/16 X 1 BOLTS-A
4=5/16 LOCK NUTS-B
8=5/16 USS WASHERS-C



298111-R91
SUZUKI KING QUAD 700 4X4



IF THE WARN RT25 IS USED MUST USE THE METRIC BOLTS THAT ARE SUPPLIED WITH THE HARDWARE IN THE BAG WITH THE WINCH. THESE BOLTS ARE USED TO MOUNT THE WINCH TO THE PLATE.

SAVANT'S MFG PH. # 1-800-326-6880
EMAIL ADDRESS www.savantmfg.com

