

2=1/4X1 SQUARE YELLOW U-BOLTS-A

4=1/4" USS WASHERS-B

4=1/4" LOCK NUTS-C



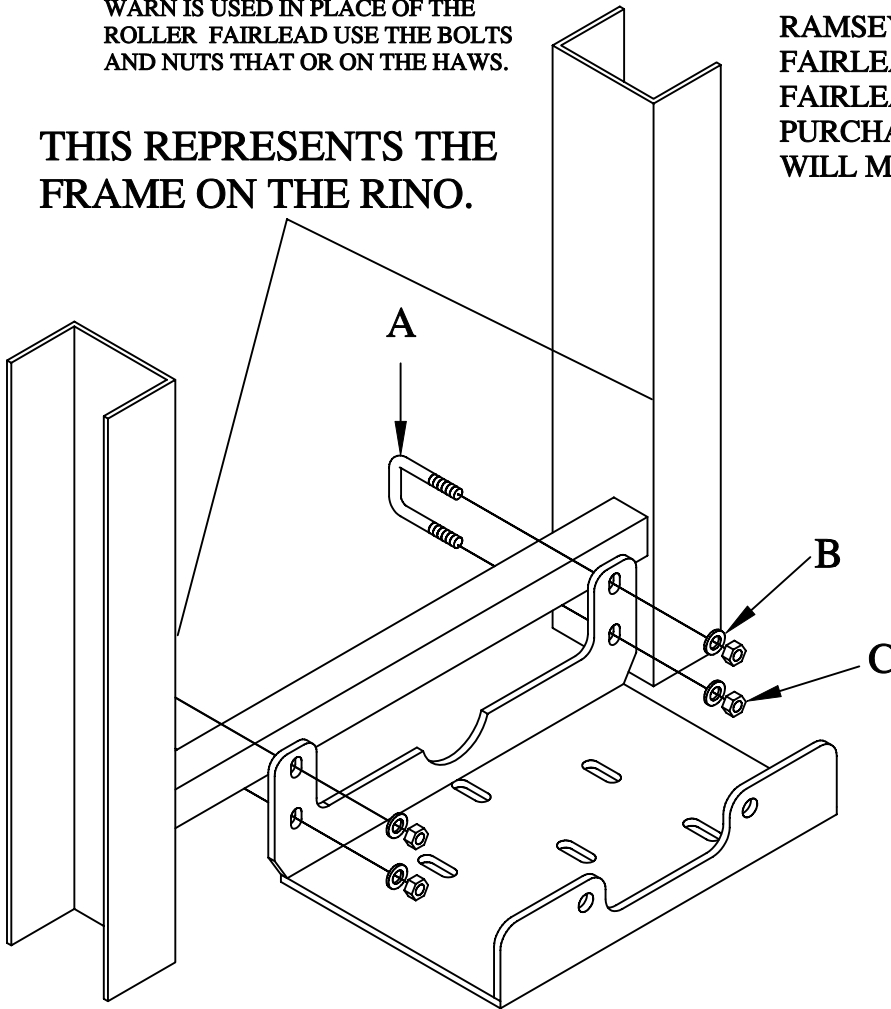
THIS PLATE IS DESIGNED TO FIT THE  
RAMSEY/WARN 2000-3000 LB WINCHES.

**#298131-R111**  
YAMAHA RINO 450-660 4X4 2007'S

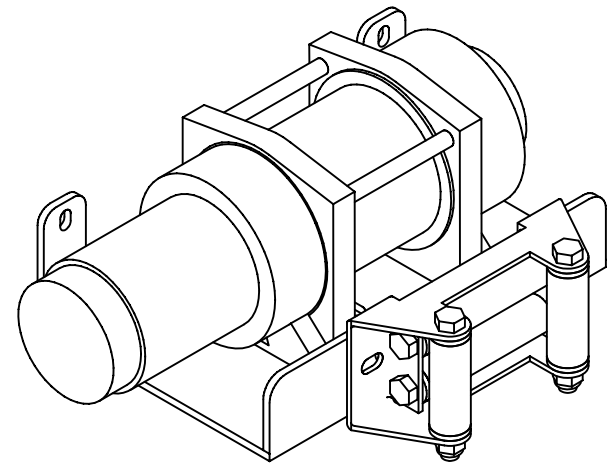
IF THE HAWSE FAIRLEAD FROM  
WARN IS USED IN PLACE OF THE  
ROLLER FAIRLEAD USE THE BOLTS  
AND NUTS THAT OR ON THE HAWS.

THIS REPRESENTS THE  
FRAME ON THE RINO.

RAMSEY'S WINCH IS SUPPLIED WITH A ROLLER  
FAIRLEAD. THE WARN WILL COME WITH A HAWSE  
FAIRLEAD. THIS DEPENDS ON THE WINCH THAT IS  
PURCHASED. BOTH THE ROLLER OR HAUS FAIRLEAD  
WILL MOUNT IN THAT SPECIFIC POSITION.



IF THE WARN RT25 IS USED MUST USE THE  
METRIC BOLTS THAT ARE SUPPLIED WITH  
THE HARDWARE IN THE BAG WITH THE  
WINCH. THESE BOLTS ARE USED TO  
MOUNT THE WINCH TO THE PLATE.



THE FOUR 5/16X1 BOLTS 5/16 WASHERS WILL  
COME WITH THE WINCH THAT IS PURCHASED...  
THESE BOLTS WILL MOUNT THE WINCH TO THE  
PLATE. THE FRONT BOLTS OF THE WINCH WILL  
MOUNT THE BRACKET TO THE FRAME.

SAVANT'S MFG PH. # 1-800-326-6880

WEB. ADDRESS [www.savantmfg.com](http://www.savantmfg.com)