

2=1/4 X 1 YELLOW U- BOLTS-A
4=1/4 LOCK NUTS-B
4=1/4 USS WASHERS-C

IF THE HAWSE FAIRLEAD FROM
WARN IS USED IN PLACE OF THE
ROLLER FAIRLEAD USE THE BOLTS
AND NUTS THAT OR ON THE HAWS.

THIS PLATE IS JUST FOR THE
ROLLER FAIR LEAD TO MOUNT
TOO. THE WINCH WILL MOUNT
TO THE BRACKETS THAT ARE
ON THE FRAME. THIS BRACKET
WILL MOUNT UNDER THE
BRACKETS THAT ARE ON THE
FRAME. THE FRONT TWO HOLES
ON THE WINCH IS WHAT THE
REAR OF THE PLATE WILL
MOUNT TOO.

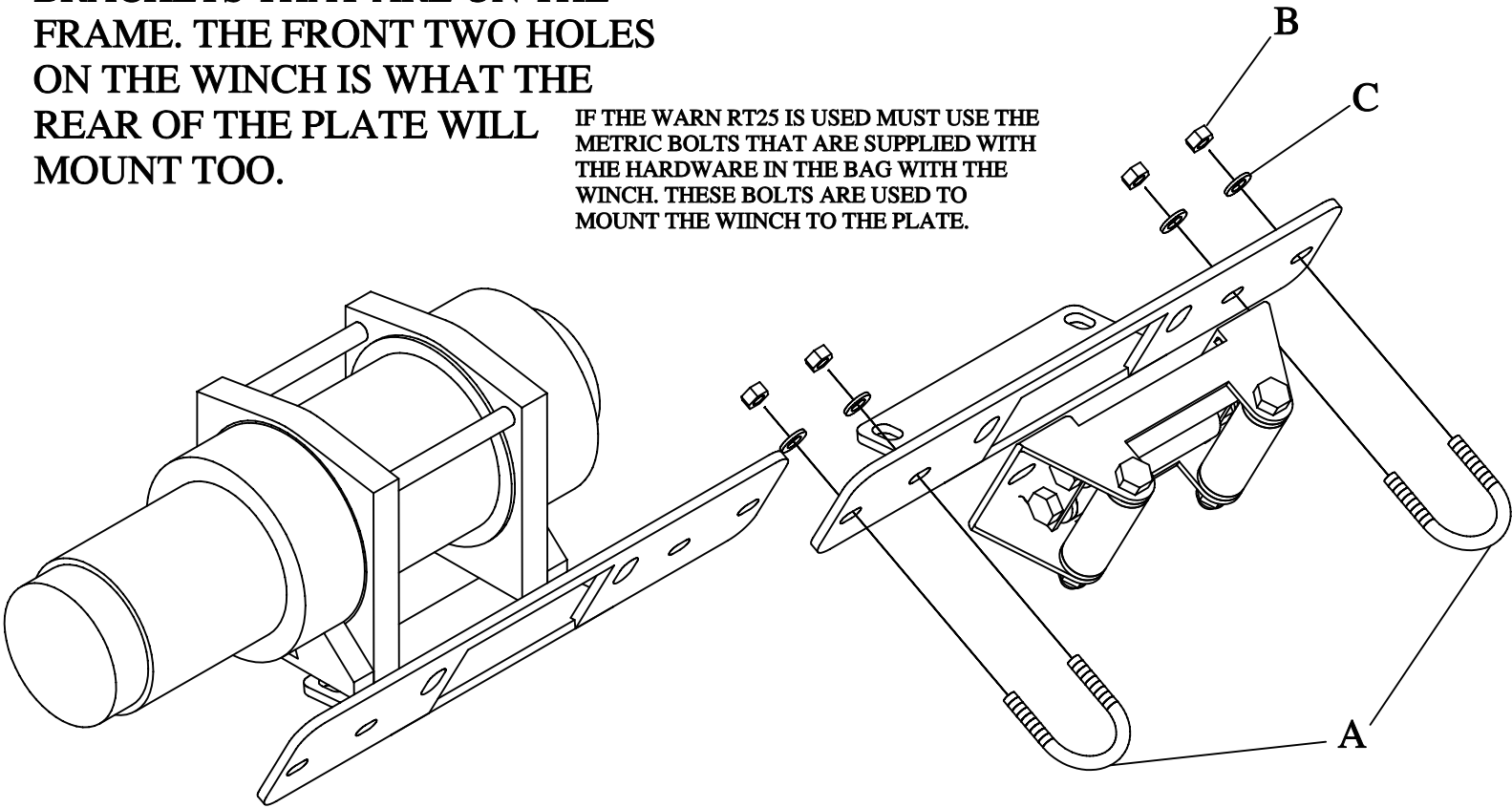
IF THE WARN RT25 IS USED MUST USE THE
METRIC BOLTS THAT ARE SUPPLIED WITH
THE HARDWARE IN THE BAG WITH THE
WINCH. THESE BOLTS ARE USED TO
MOUNT THE WIINCH TO THE PLATE.



298133-R113

2007 YAMAHA BIG BEAR 400 4X4 IRS
THIS PLATE IS DESIGNED TO FIT THE RAMSEY 2500LB,
AND ALSO THE WARN 2000LB , 2500LB WINCHES.

RAMSEY'S WINCH IS SUPPLIED WITH A ROLLER
FAIRLEAD. THE WARN WILL COME WITH A HAWSE
FAIRLEAD. THIS DEPENDS ON THE WINCH THAT IS
PURCHASED. BOTH THE ROLLER OR HAUS FAIRLEAD
WILL MOUNT IN THAT SPECIFIC POSITION.



THE WINCH WILL HAVE ITS OWN
HARDWARE TO MOUNT TO THE FRAME
BRACKETS.

THE U-BOLTS WILL MOUNT TO
THE FRONT FRAME BARS
OF THE BUMPER.

SAVANT'S MFG PH. # 1-800-326-6880

WEB. ADDRESS www.savantmfg.com