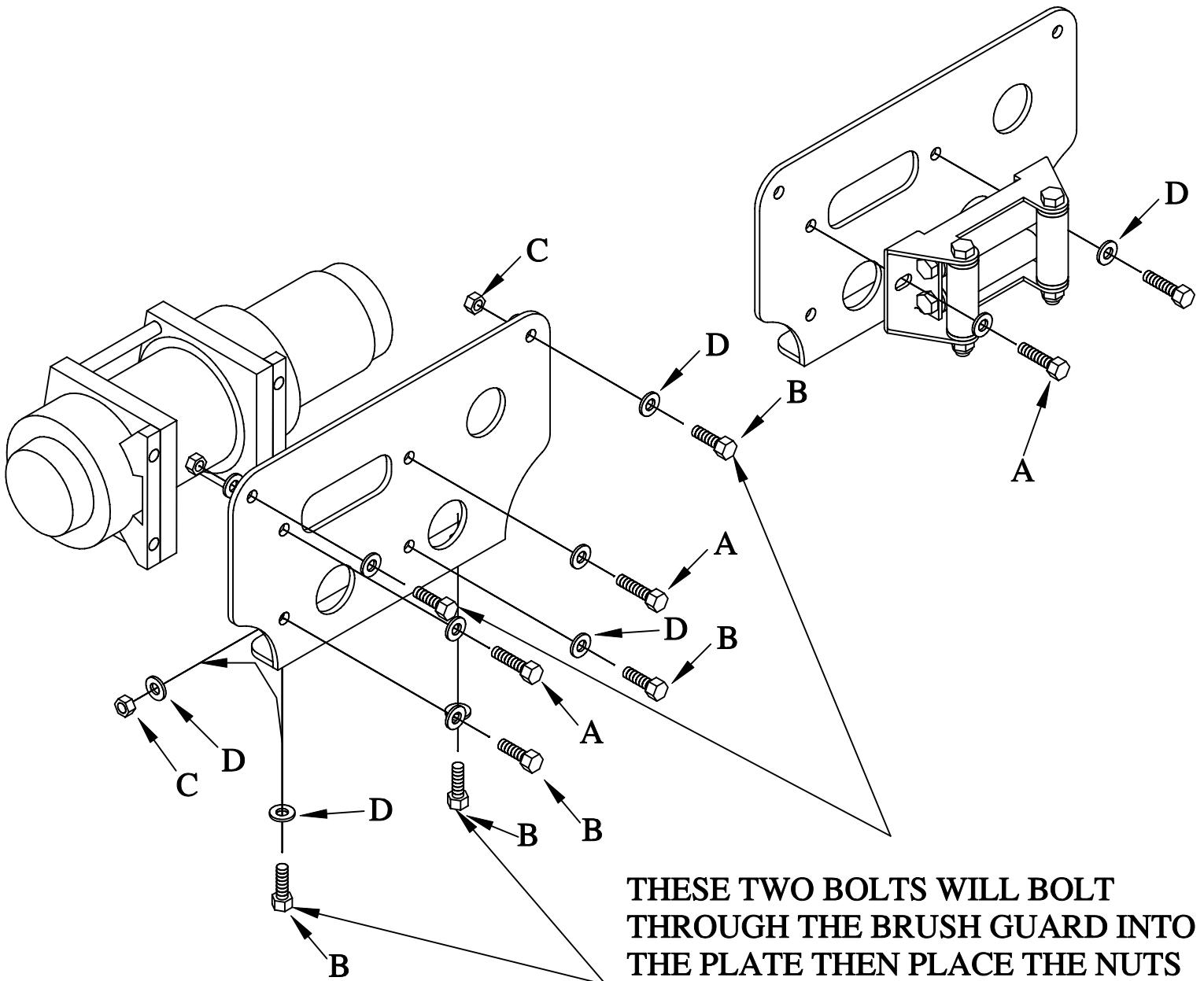


2=5/16 X 1 1/4" BOLTS-A
6=5/16 X 1" BOLTS-B
4=5/16 LOCK NUTS-C
12=5/16 SAE WASHERS-D

SMI SAVANT
MFG., INC.

R73

WINCH PLATE FOR THE BRUSH GUARD
FOR POLARIS MODELS.



THESE TWO BOLTS WILL BOLT
THROUGH THE BRUSH GUARD INTO
THE PLATE THEN PLACE THE NUTS
AND WASHERS ON.